



Engineered to be the fastest

SSX BX



CHECK FOR THE LATEST
VERSION OF THIS
INSTRUCTION MANUAL



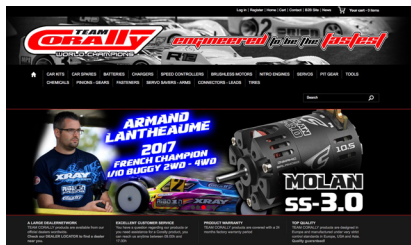
INSTRUCTION MANUAL

2019-V4

RECOMMENDED ACCESSORIES

To obtain the maximum performance out of your SSX-8 we recommend the following accessories

**STAY
TUNED...**
WWW.CORALLY.COM



<https://www.facebook.com/Team.Corally>

**DYNOSPEED
VELOX 805**

C-61302

1950 KV



Features

- Precision machined T6 aluminium motor can
- High purity copper windings maximizes conductivity
- High power solder tabs
- Removable and replaceable rotor
- Powerful sintered Neodymium magnet
- Improved stator design for higher efficiency
- Dual Sensor Port
- Adjustable Timing
- Compatible with all Sensored/ Sensorless ESC
- Compliant with EFRA, BRCA, IFMAR, ROAR rules

"CS 4014" SERVO
**HIGH SPEED -
HIGH VOLTAGE SERVO**

- Low Profile Servo
- Ultra High Speed
- High Voltage 6 - 8.4V
- Coreless Motor
- Titanium Gears
- 12 Kg Torque/cm @ 7.4V
- Speed 0.08 sec/60°
- Weight 56g



C-52002

CONTROLLER "REVOC PRO 160"

C-53004-1



- For sensored and sensorless motors
- Manufactured with the highest grade components
- Aluminium case for improved heat dissipation
- Advanced boost & turbo timing system for improved acceleration performance
- Enhanced throttle & brake control function.
- 10 programmed profiles can be stored in the ESC
- BEC voltage 6.0V 5A Current
- Cont. Current (A): 160A
- Burst (A): 900A
- Nr of Li-xx Cells: 2-6S

RECOMMENDED ACCESSORIES & TOOLS

VOLTAX 120C HV

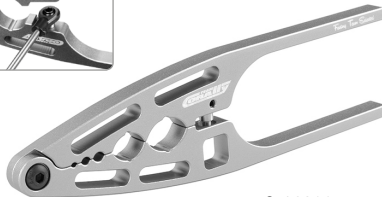


Voltax 120C LiPo Battery
8000mAh - 7.4V - Stick 2S

C-49523

TC Shock Pliers

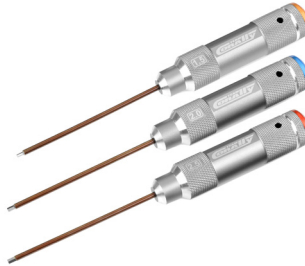
For use with 1/12 - 1/10 - 1/8 Shocks



C-16300

Hex Drivers

Aluminium handle • Hardened tool tip



C-16130 Factory Pro Tool - Hex Driver 1.5 mm

C-16131 Factory Pro Tool - Hex Driver 2.0 mm

C-16132 Factory Pro Tool - Hex Driver 2.5 mm

Cutter Knife - Needle Nose Pliers

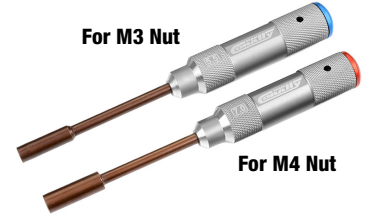
For plastic parts and circlips



Nut Drivers

Aluminium handle • Hardened tool tip

For M3 Nut



For M4 Nut

C-16161 Factory Pro Tool - Nut Driver 5.5 mm

C-16162 Factory Pro Tool - Nut Driver 7.0 mm

100 Lock-It Screwlock - Soft



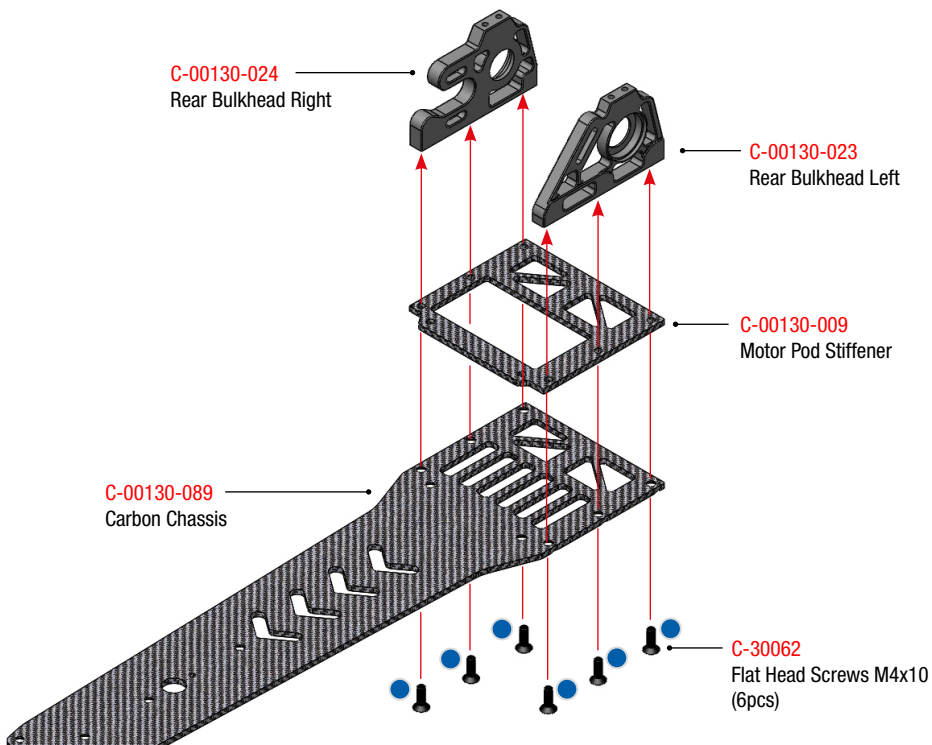
C-13094

105 Stick-It Thin - CA Glue

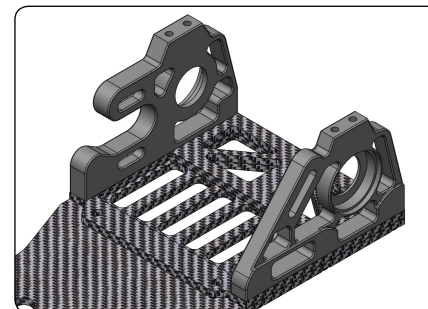


C-13090

1 REAR SUSPENSION ASSEMBLY

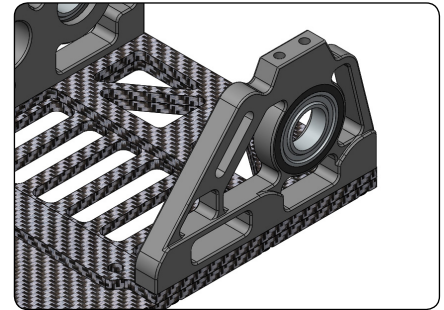
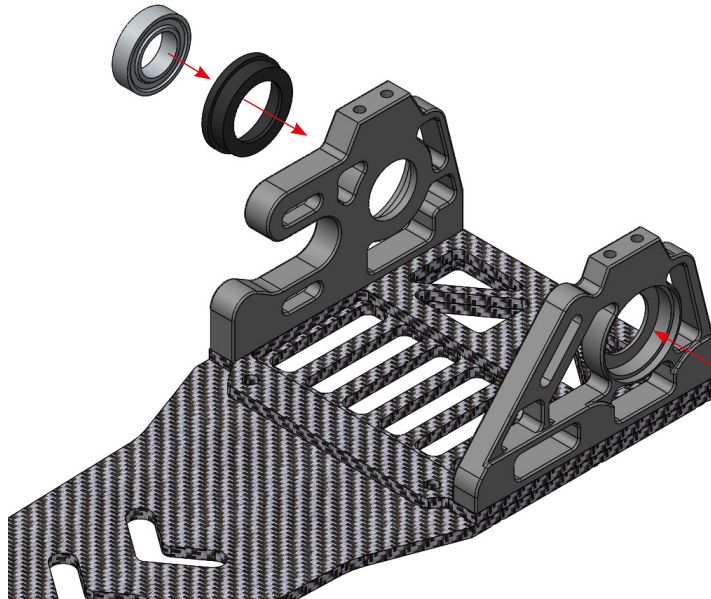


Apply CORALLY
LOCK-IT 100





2 REAR SUSPENSION ASSEMBLY

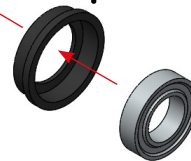


C-00130-029

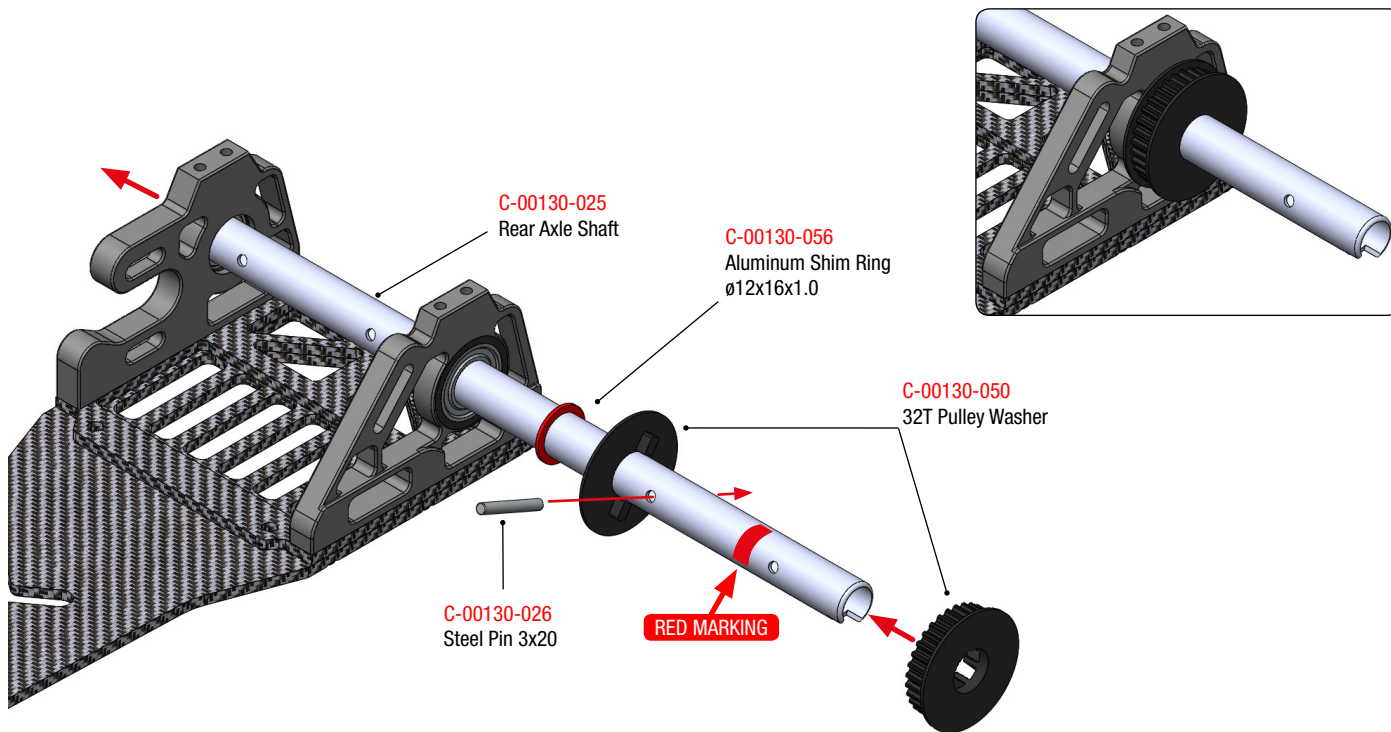
Ball Bearing Inserts (2pcs)

C-361221

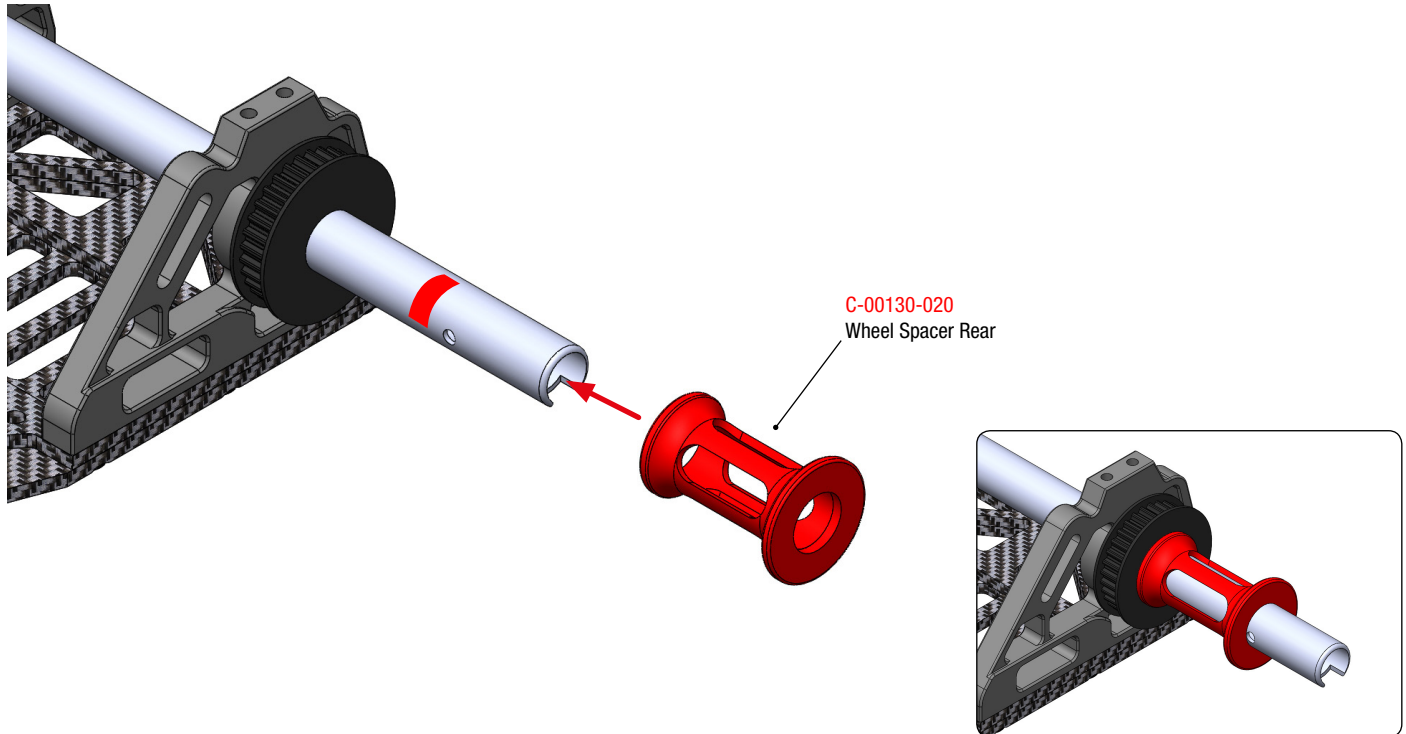
Ball Bearing 12x21x5 (2pcs)



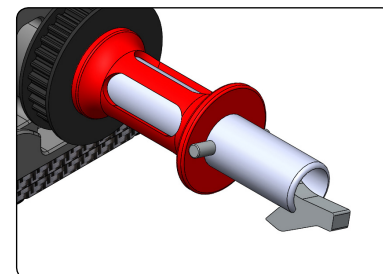
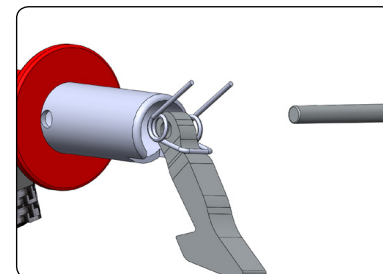
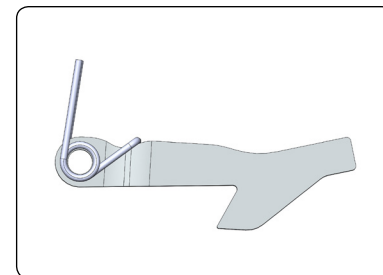
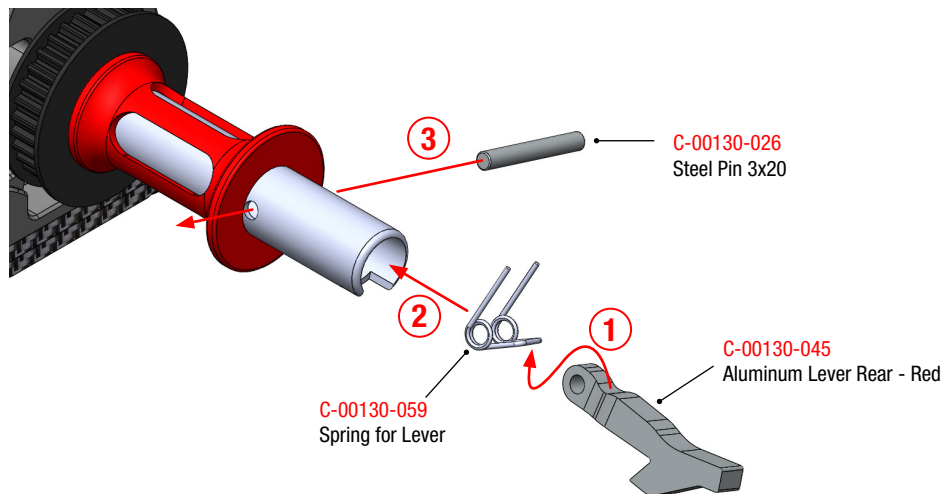
3 REAR SUSPENSION ASSEMBLY

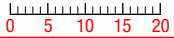


4 REAR SUSPENSION ASSEMBLY

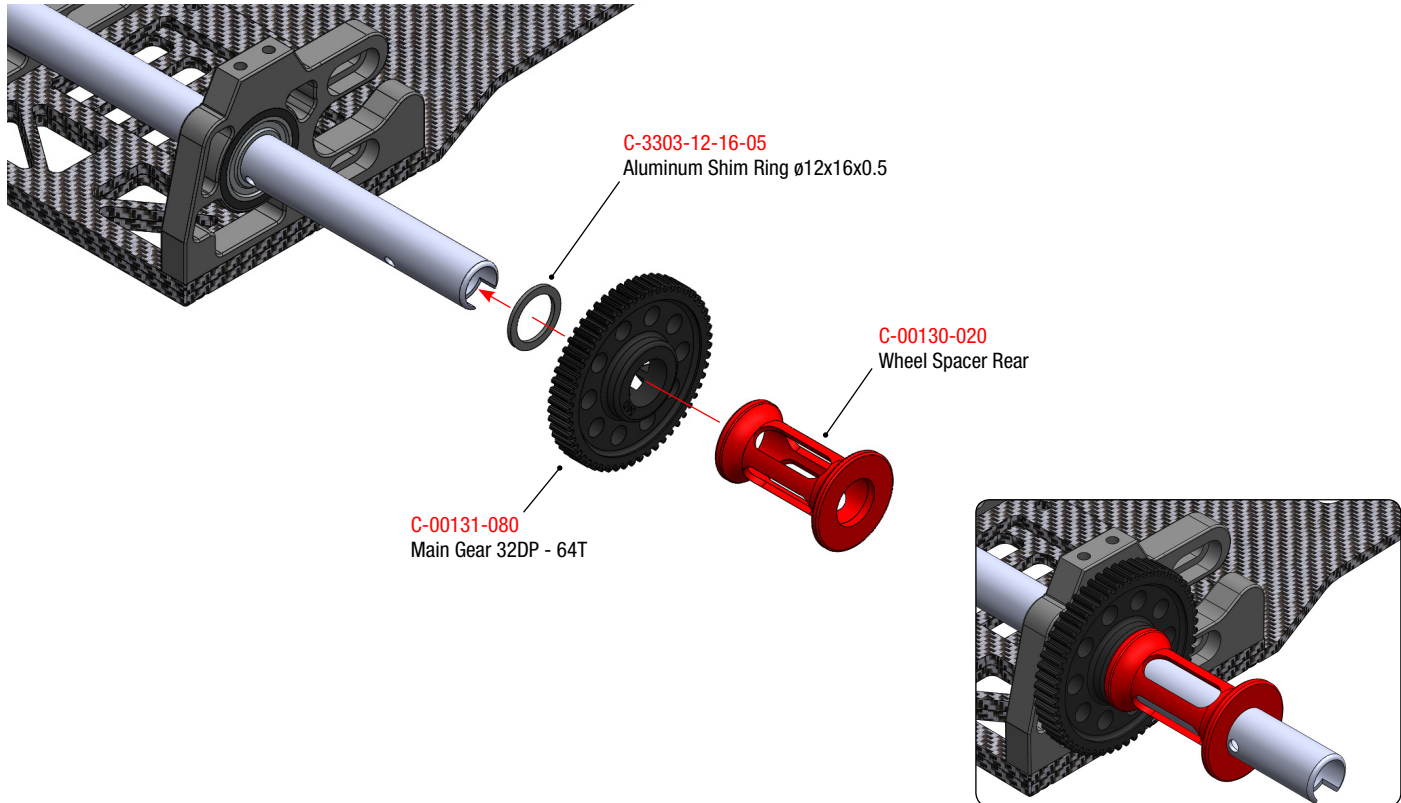


5 REAR SUSPENSION ASSEMBLY (LEFT SIDE)

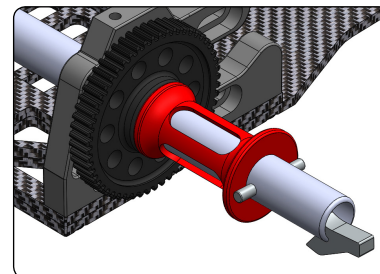
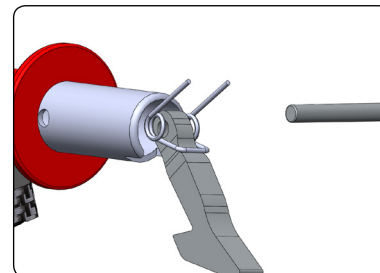
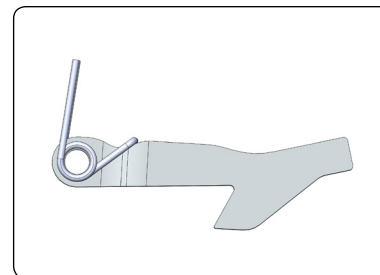
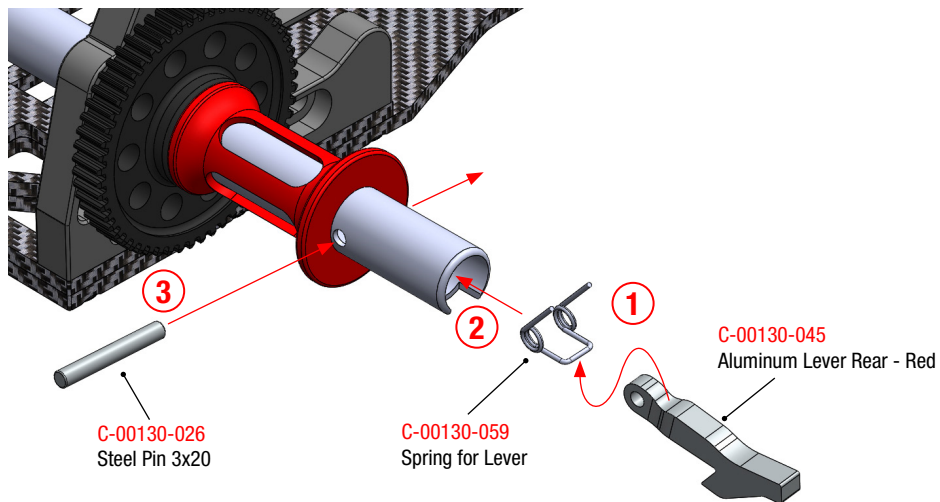


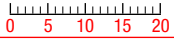


6 REAR SUSPENSION ASSEMBLY (RIGHT SIDE)

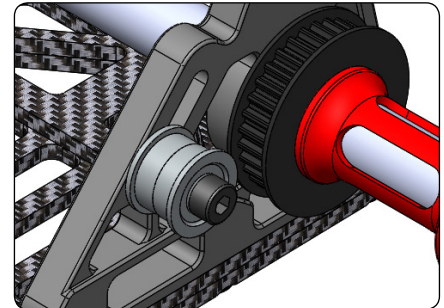
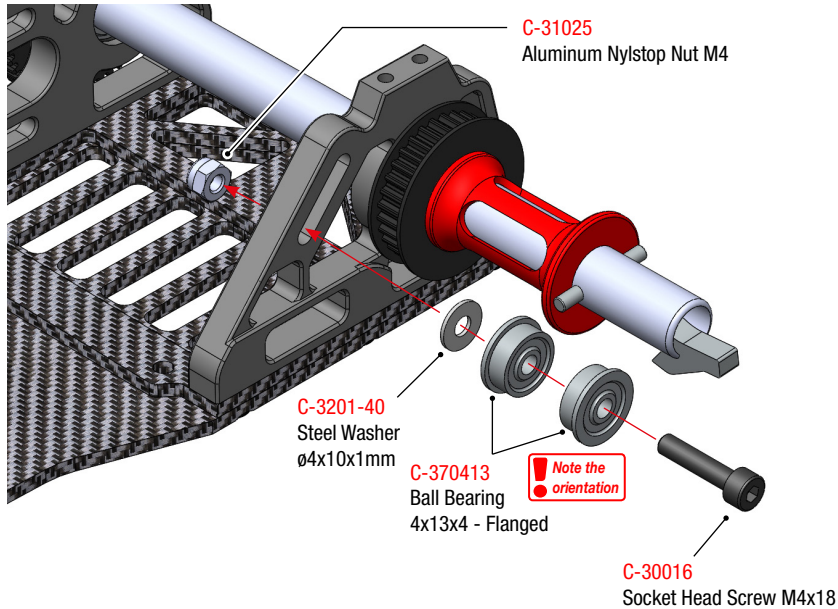


7 REAR SUSPENSION ASSEMBLY (RIGHT SIDE)

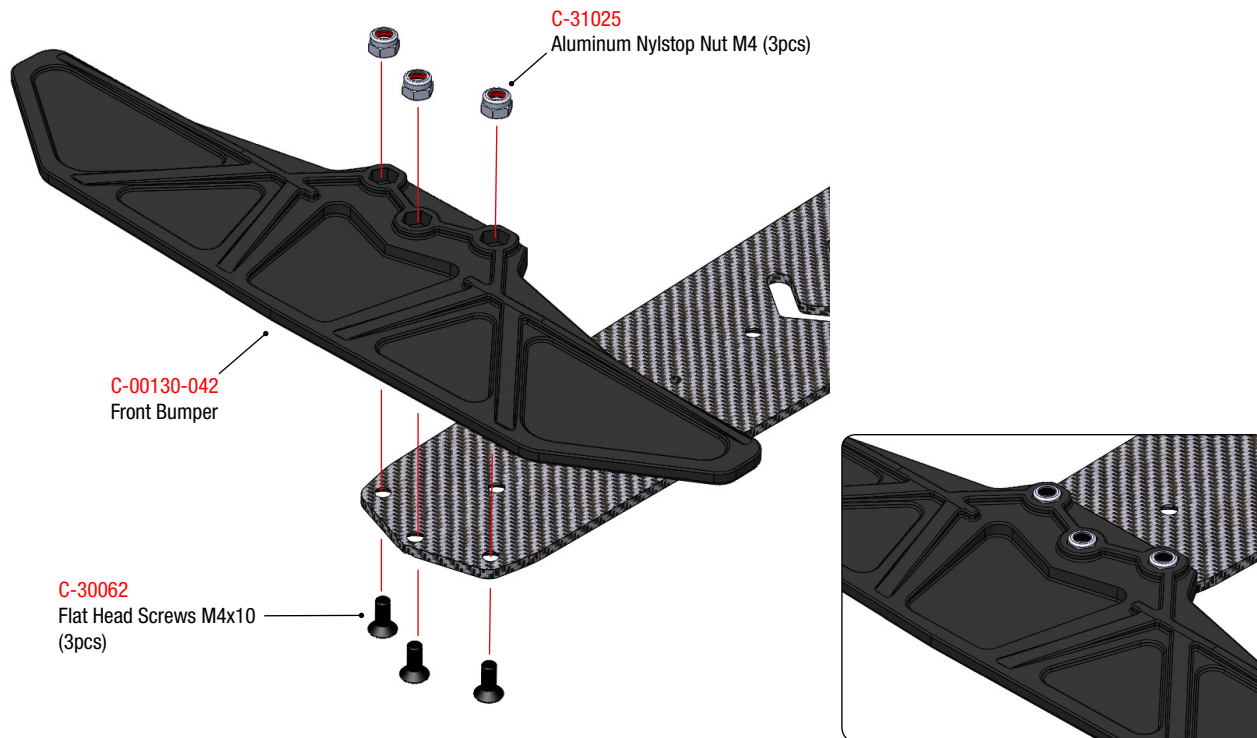


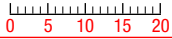


8 REAR SUSPENSION ASSEMBLY (LEFT SIDE)

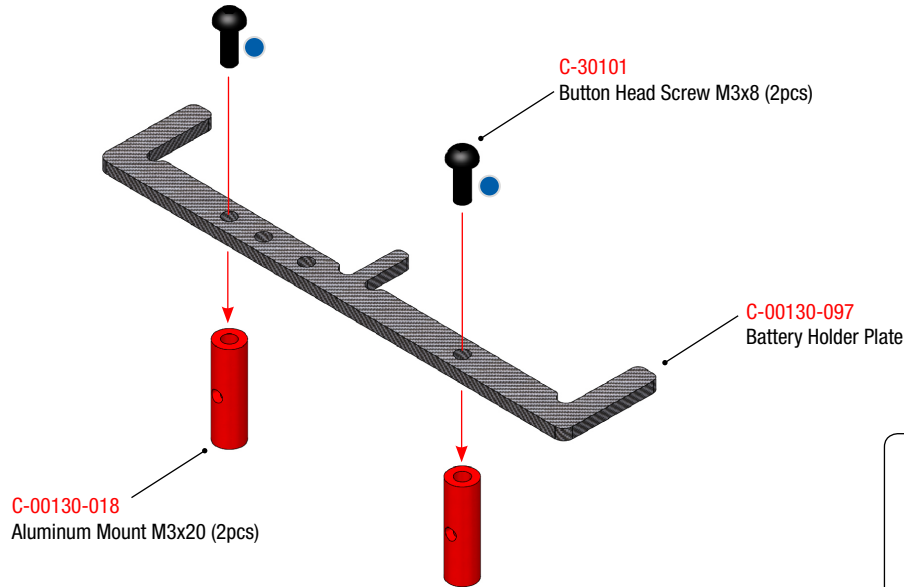


9 BUMPER ASSEMBLY

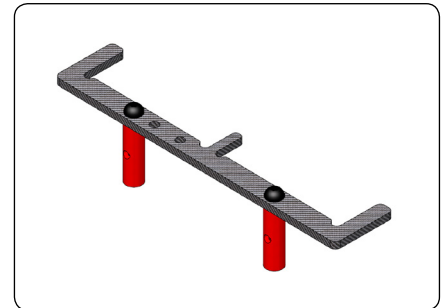




10 BATTERY HOLDER PLATE ASSEMBLY



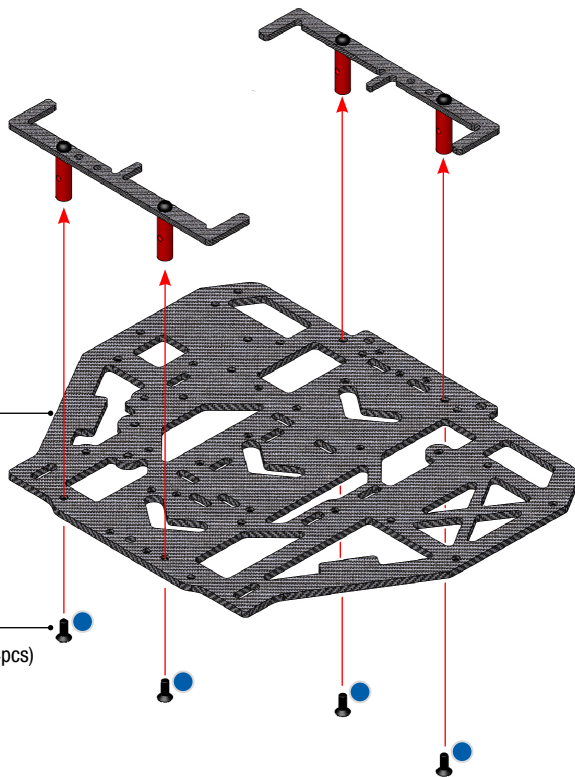
Apply CORALLY
LOCK-IT 100



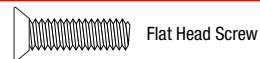
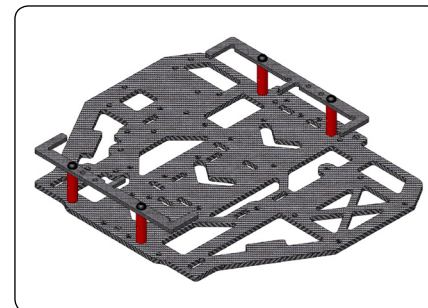
11 RADIO PLATE ASSEMBLY

C-00130-096
Carbon Radio Plate

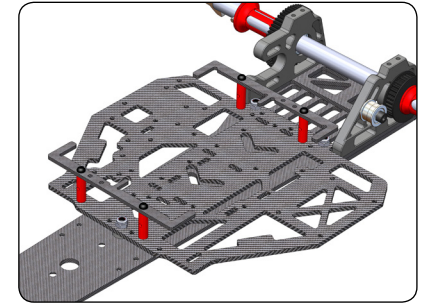
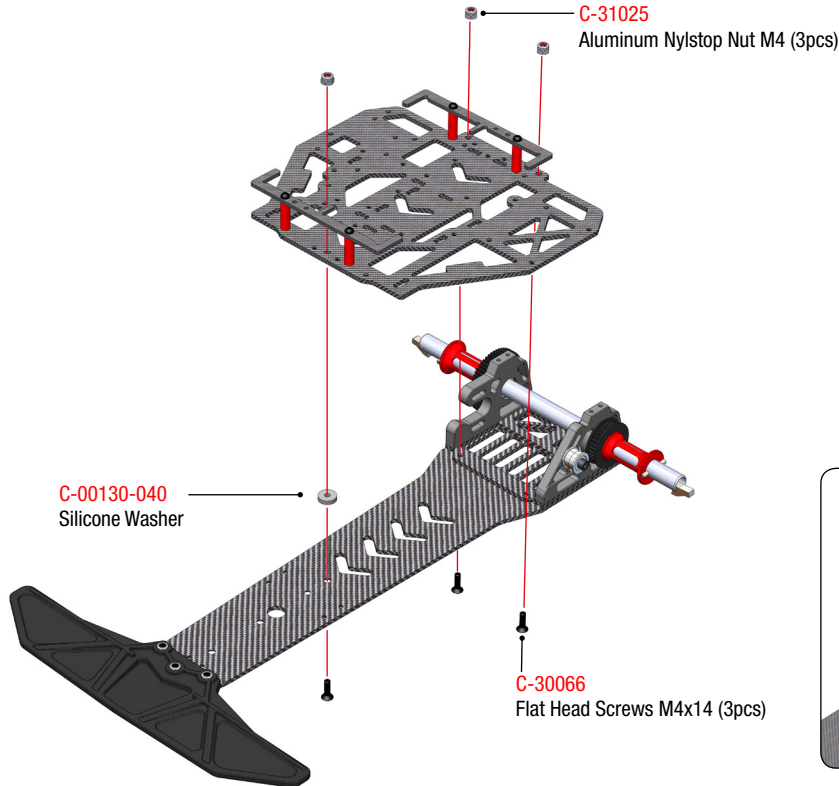
C-30050
Flat Head Screws M3x6 (4pcs)



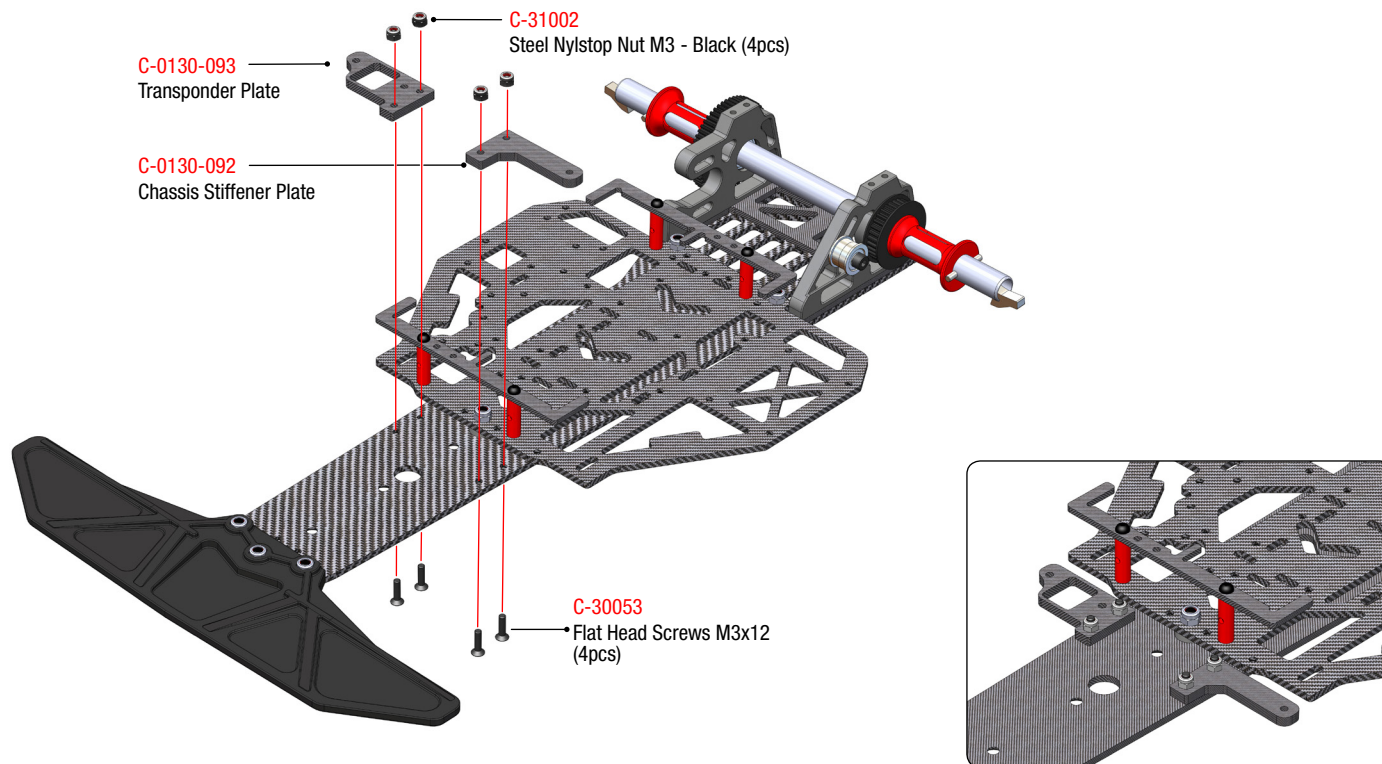
Apply CORALLY
LOCK-IT 100



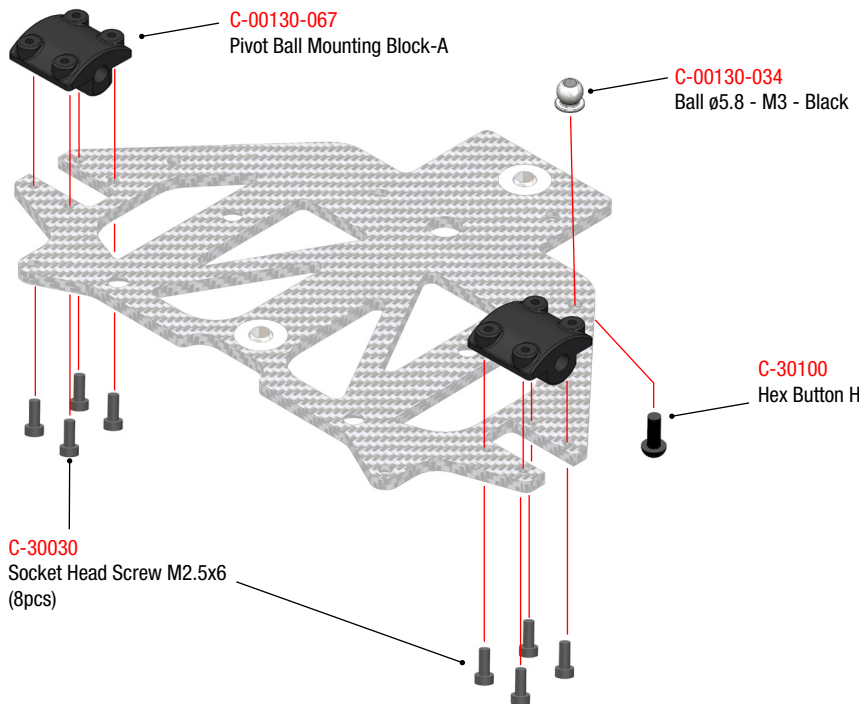
12 RADIO PLATE ASSEMBLY



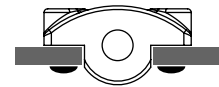
13 RADIO PLATE ASSEMBLY



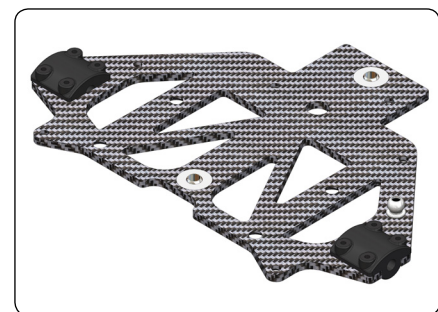
15 FRONT SUSPENSION ASSEMBLY

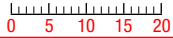


C-00130-067
Pivot Ball Mounting Block-A

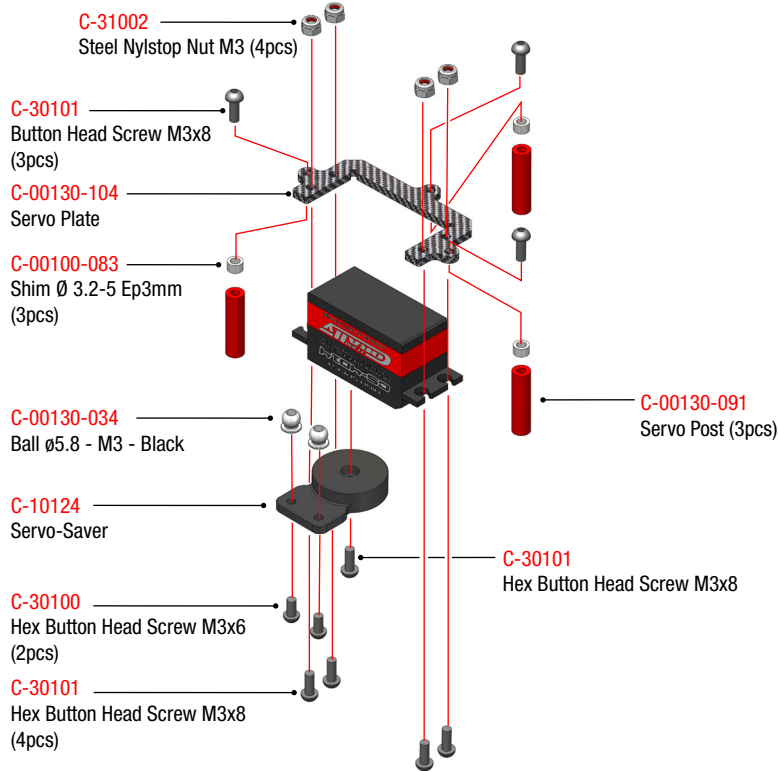


C-00130-216
Aluminum Pivot Ball Mounting Block-A



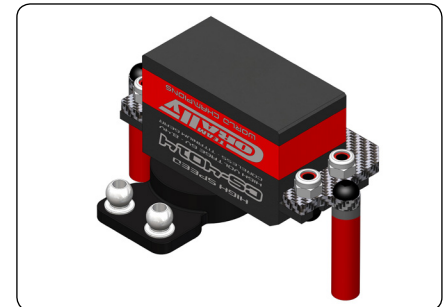


16 SERVO PLATE ASSEMBLY

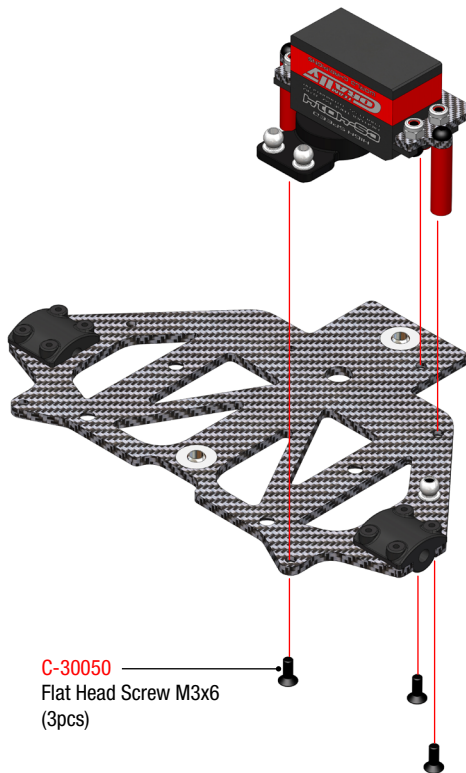


RECOMMENDED HIGH SPEED SERVO

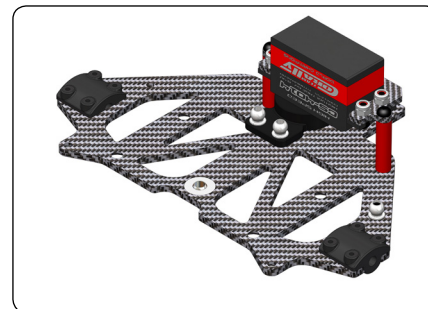
- C-52002 - CS-4014 HV**
- High Speed Low CG Servo
 - High Voltage - Coreless Motor
 - Titanium Gear

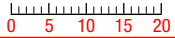


17 INSTALLING STEERING SERVO

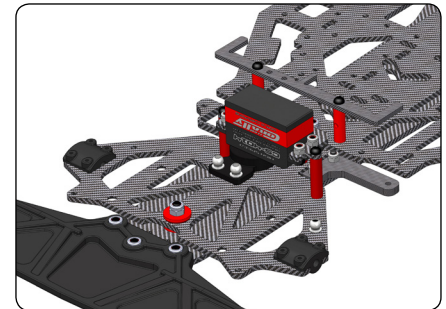
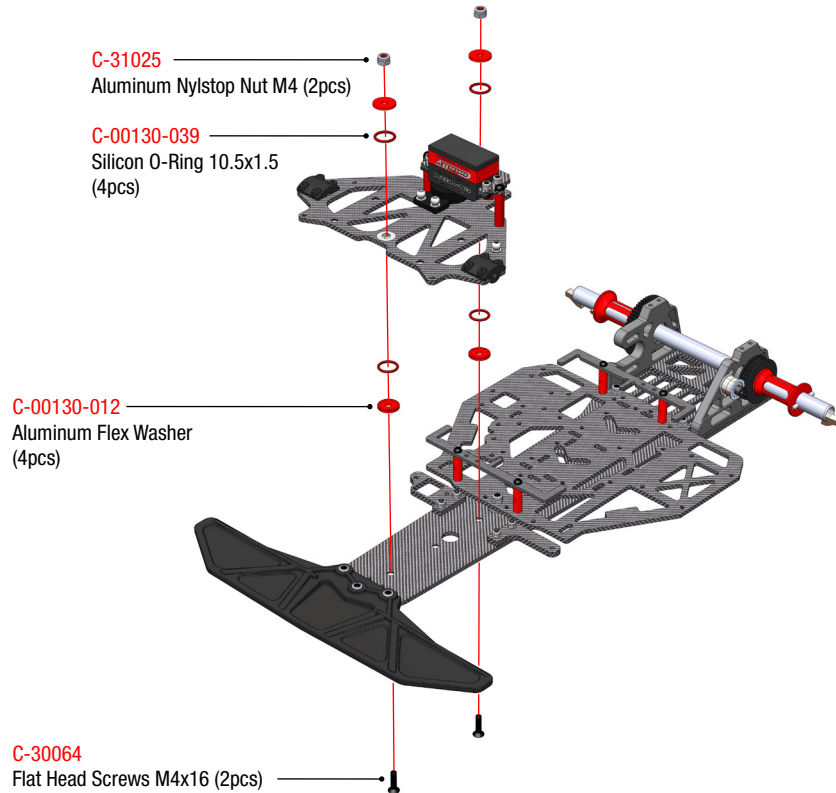


C-30050
Flat Head Screw M3x6
(3pcs)





18 FRONT SUSPENSION ASSEMBLY



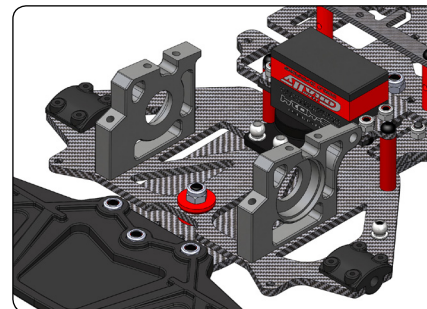
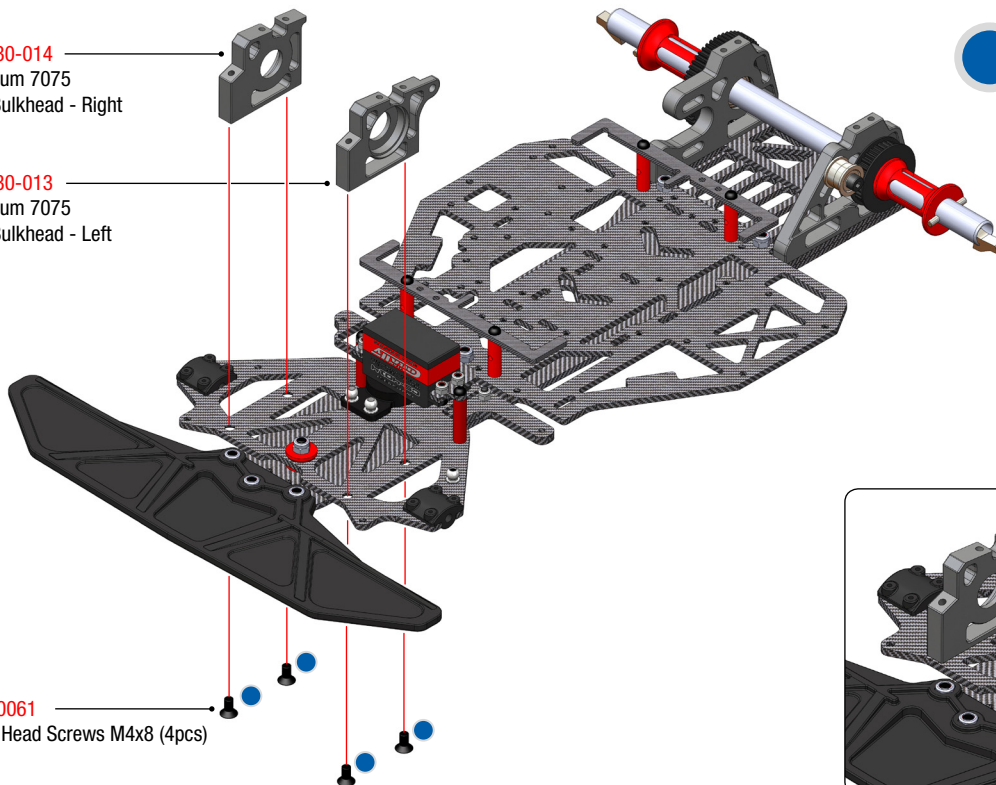
19 FRONT SUSPENSION ASSEMBLY

C-00130-014
Aluminum 7075
Front Bulkhead - Right

C-00130-013
Aluminum 7075
Front Bulkhead - Left

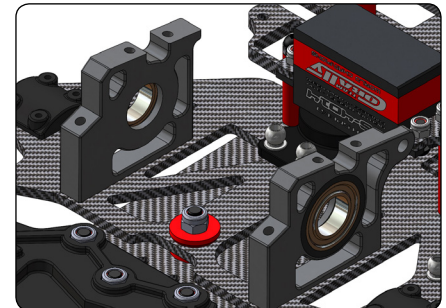
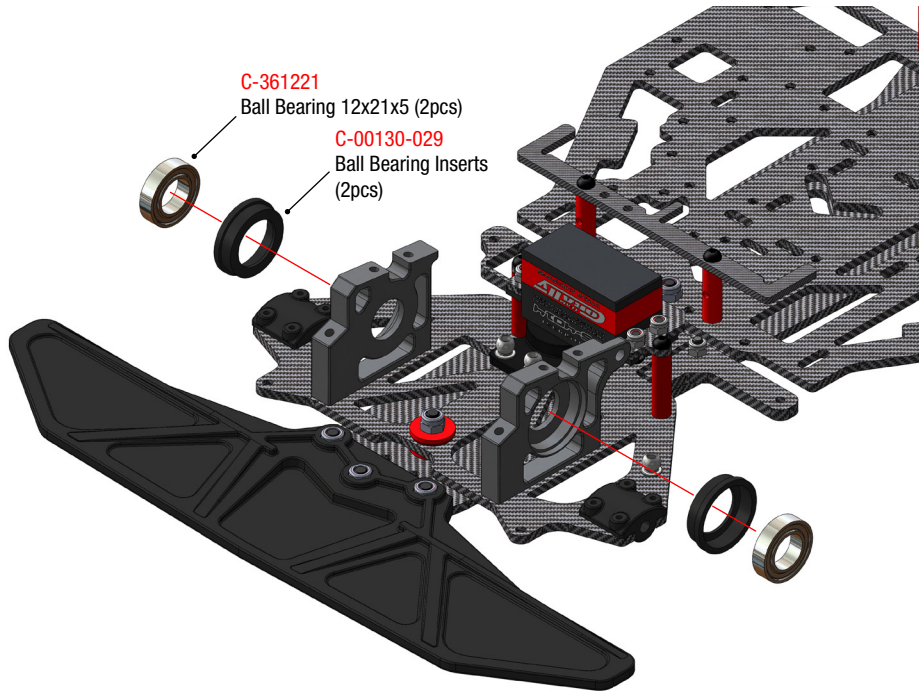
C-30061
Flat Head Screws M4x8 (4pcs)

Apply CORALLY
LOCK-IT 100

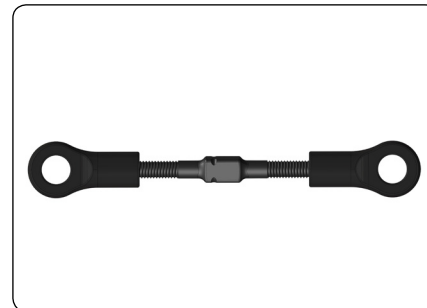
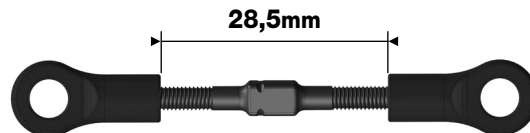
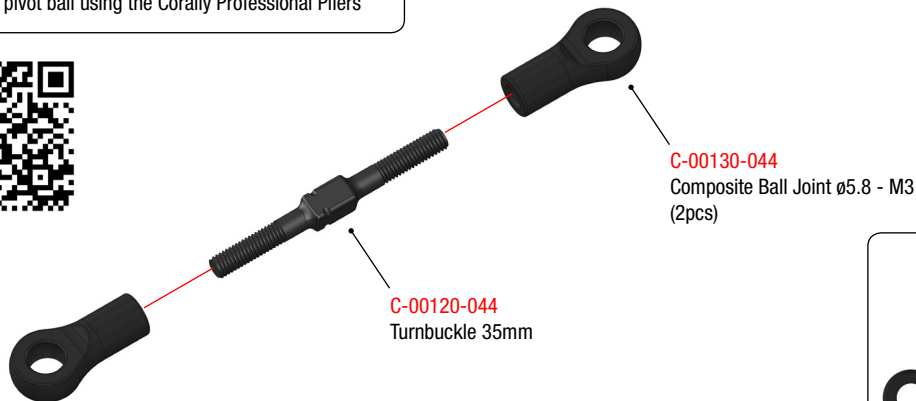
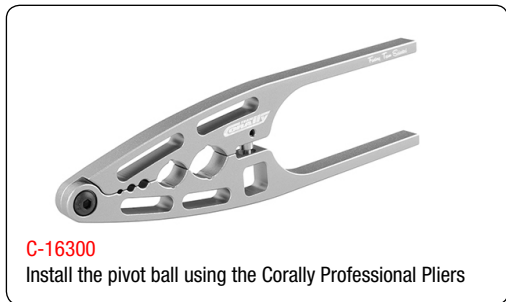


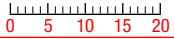


20 FRONT SUSPENSION ASSEMBLY

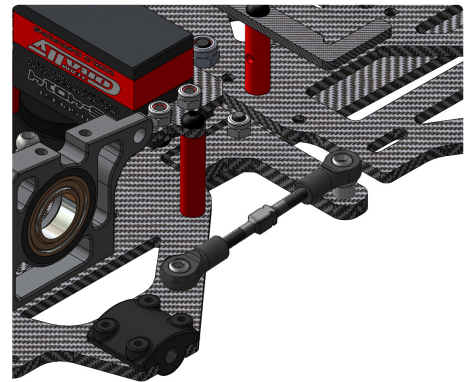
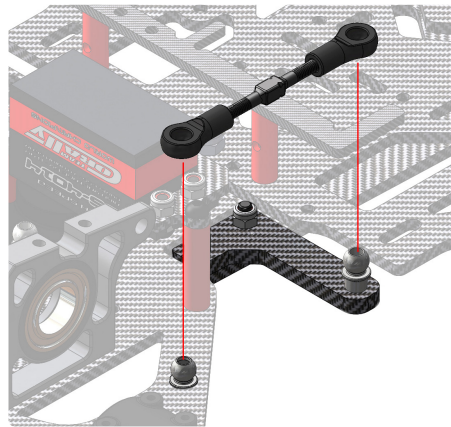
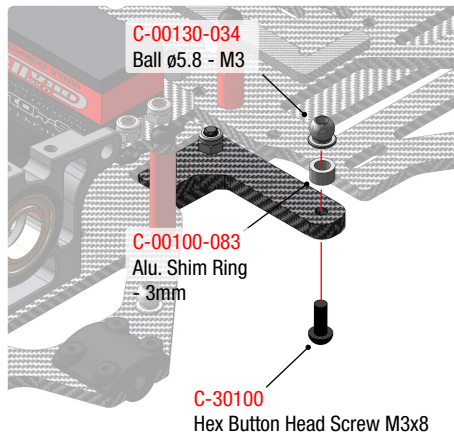


21 CHASSIS STIFFENER ASSEMBLY

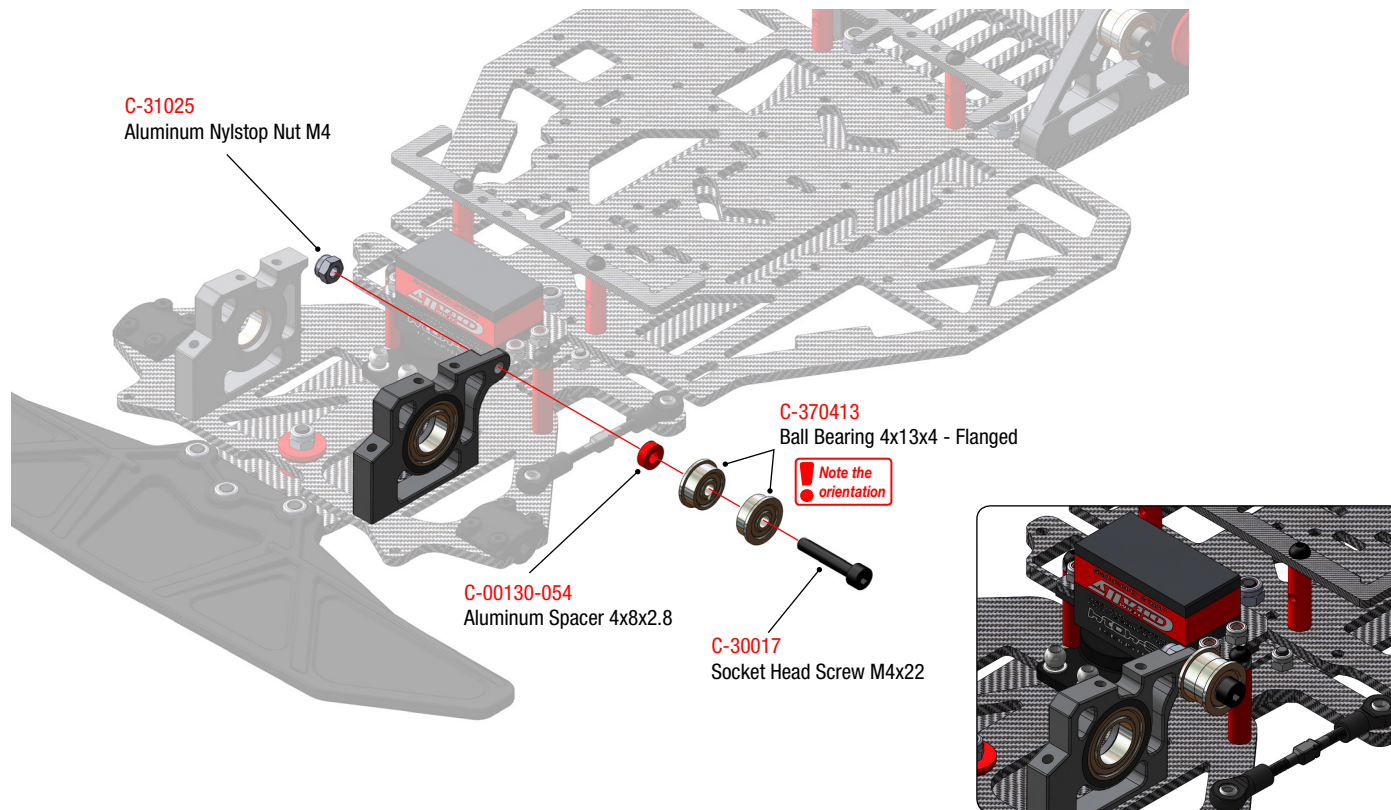




22 INSTALLING CHASSIS STIFFENER



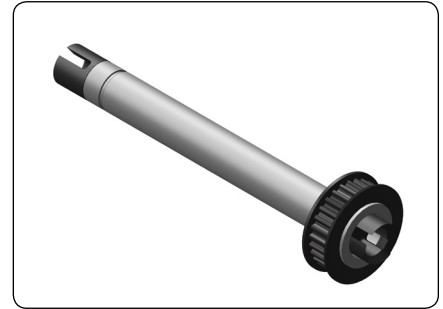
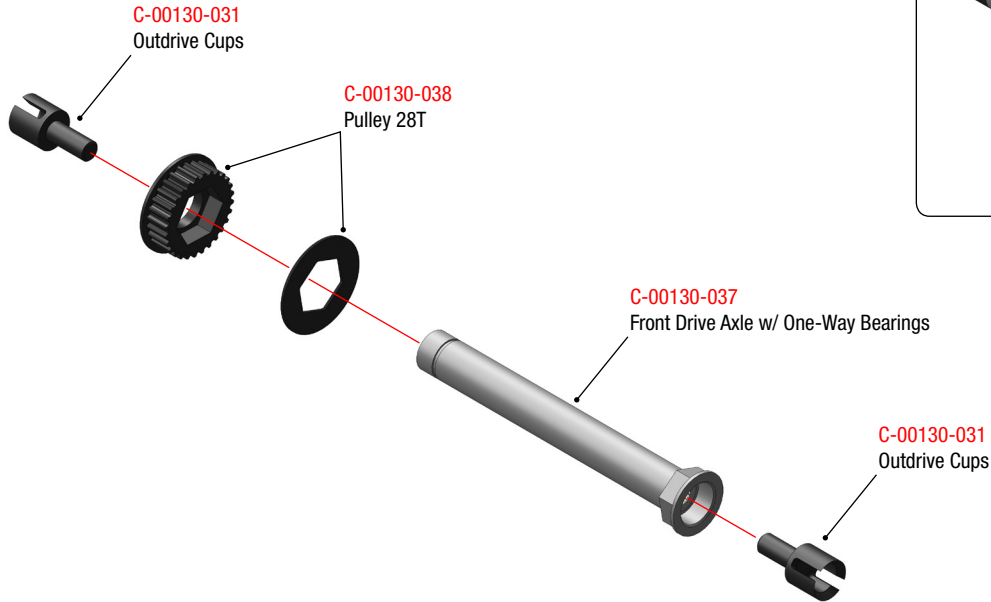
23 FRONT SUSPENSION ASSEMBLY



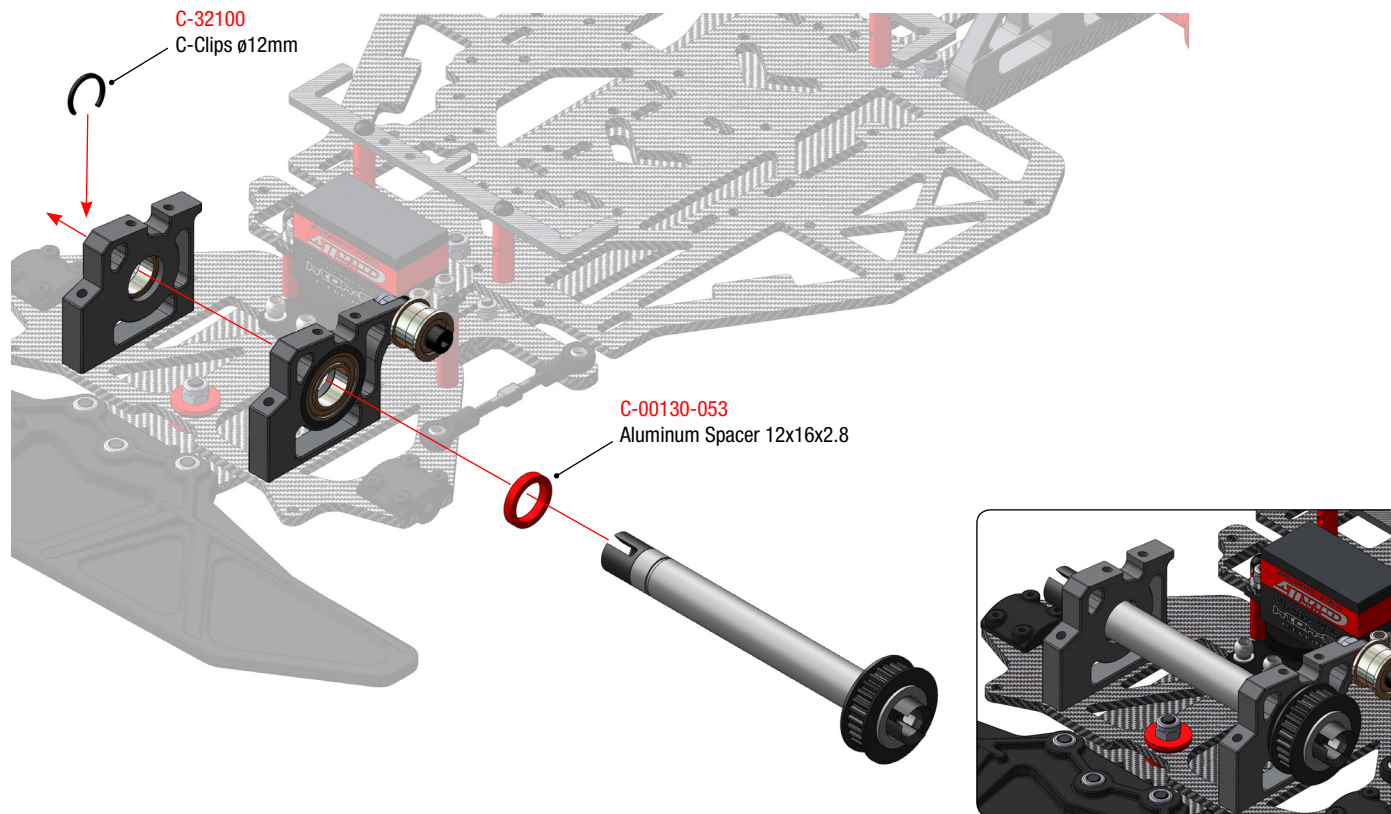


24

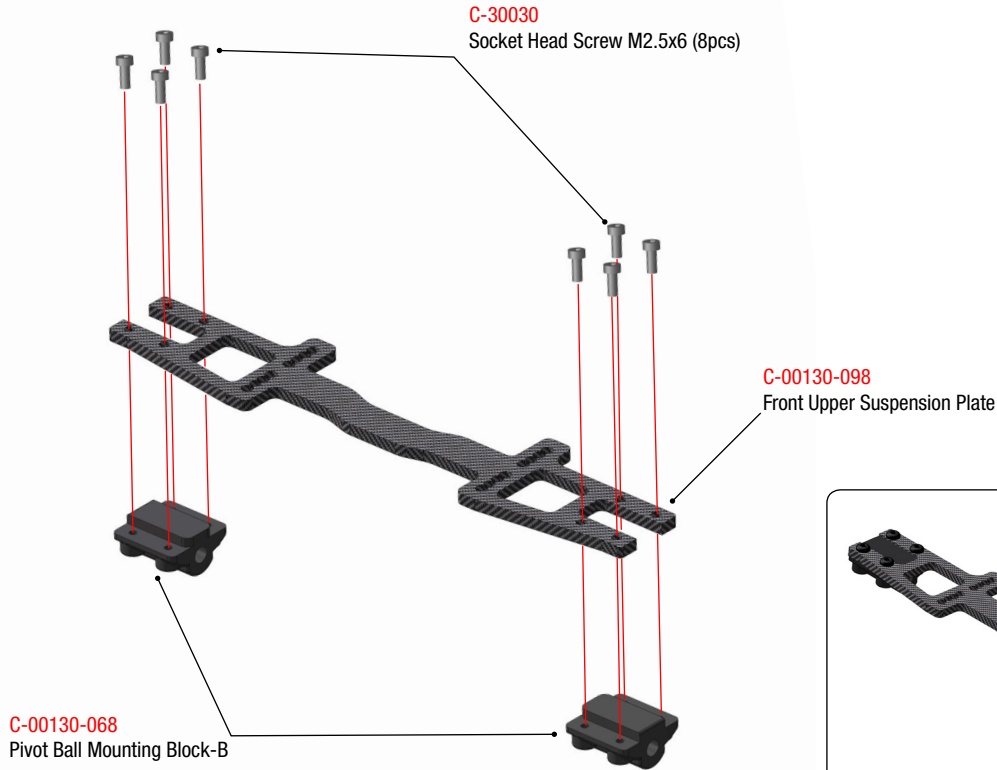
FRONT DRIVE SHAFT ASSEMBLY



25 FRONT SUSPENSION ASSEMBLY



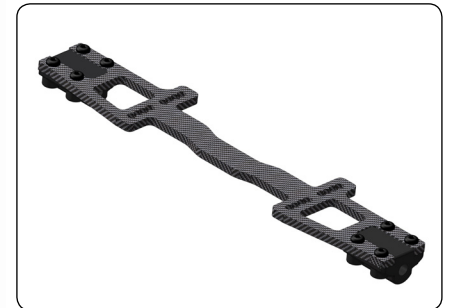
26 FRONT SUSPENSION ASSEMBLY



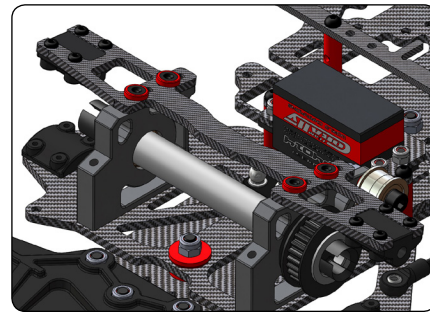
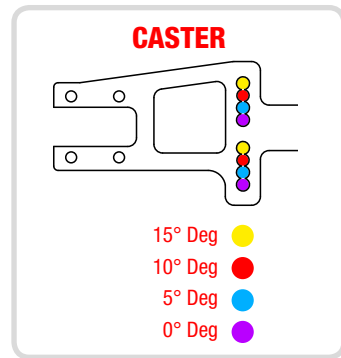
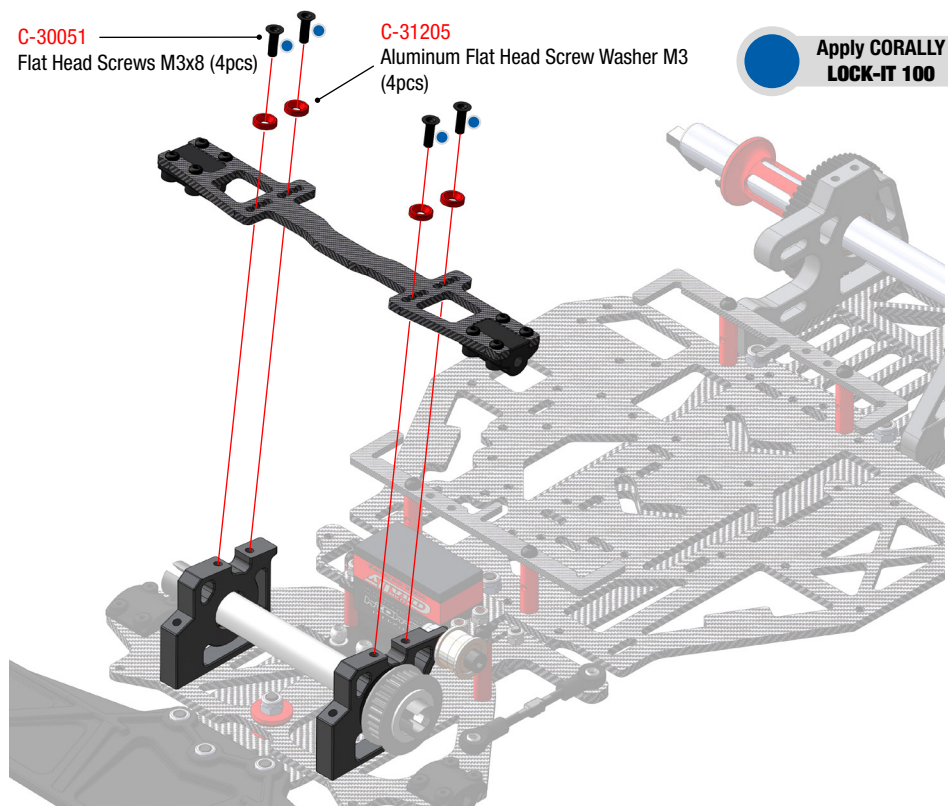
Option Part

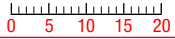


C-00130-215
Aluminum Pivot Ball
Mounting Block-B

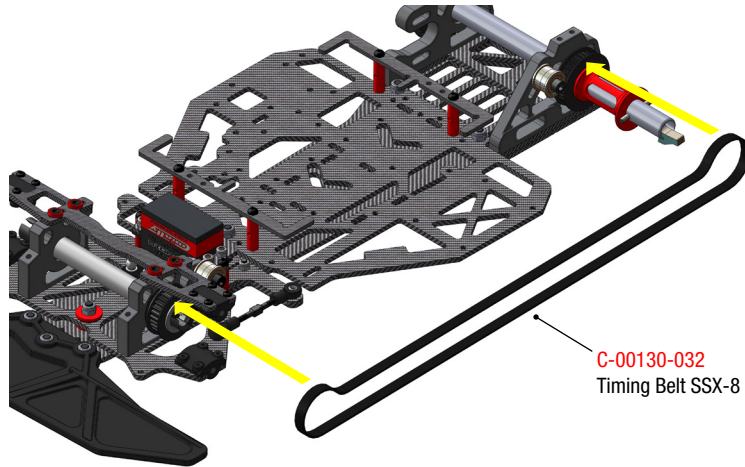


27 FRONT SUSPENSION ASSEMBLY

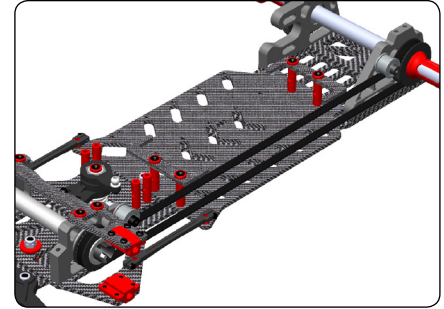




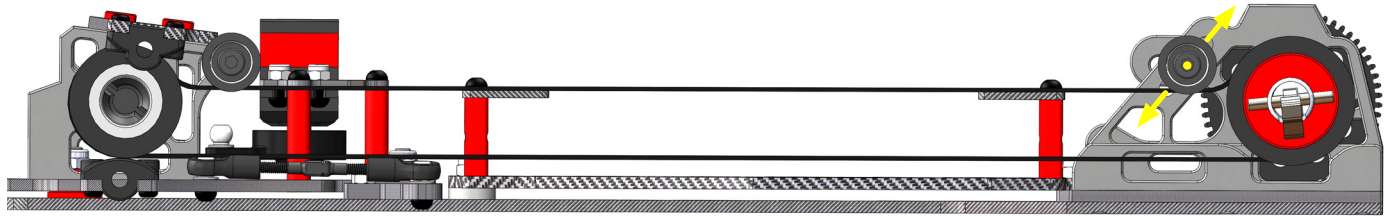
28 TIMING BELT ASSEMBLY



C-00130-032
Timing Belt SSX-8

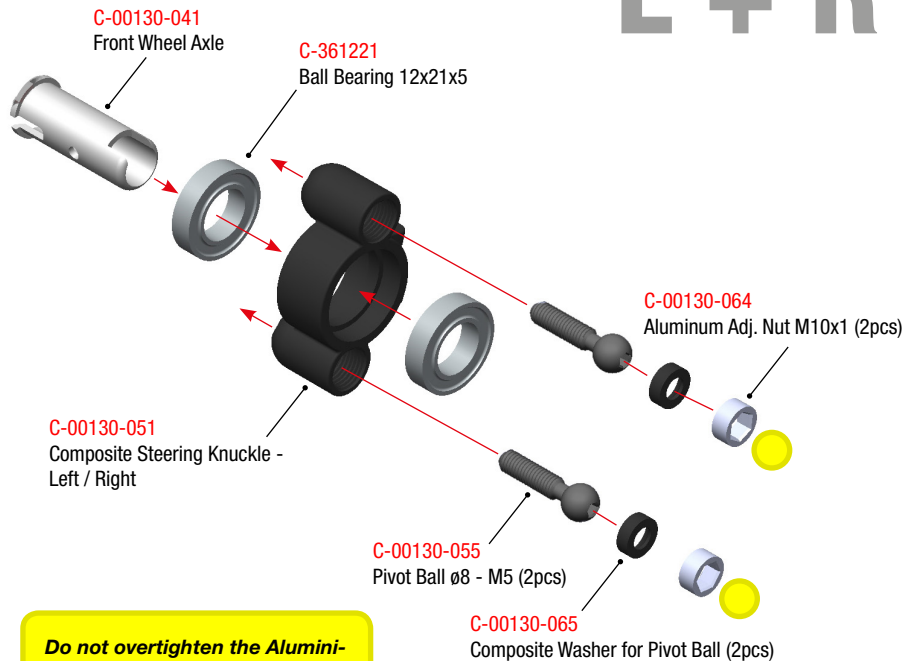
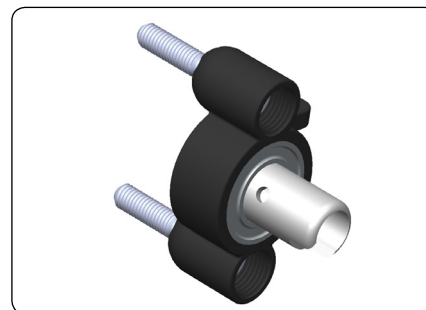
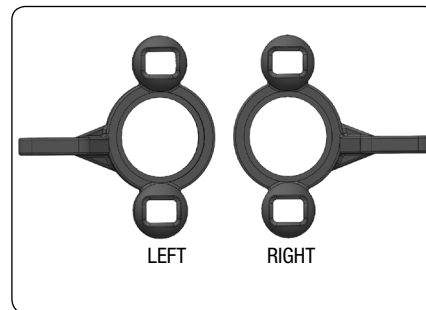


- To adjust the tension of the drive belt**
- Loosen the socket head screw
 - Move the belt tensioner Up or Down
 - Re-tighten the screw

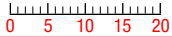


28 STEERING KNUCKLE ASSEMBLY - L + R

L + R

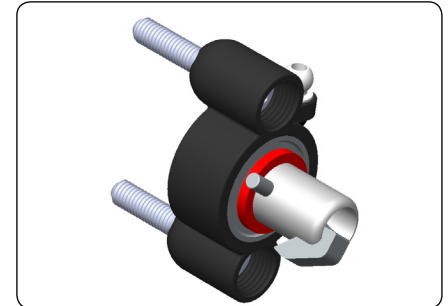
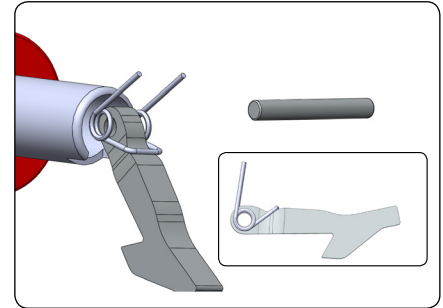
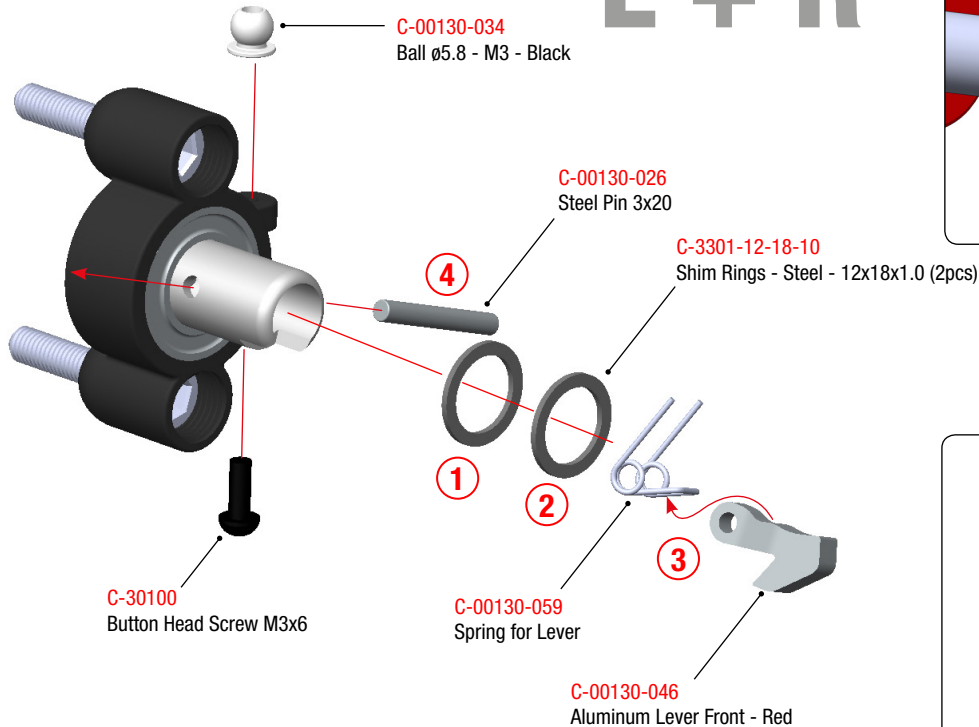


Do not overtighten the Aluminum Nuts otherwise the Steering Knuckle will not move freely.

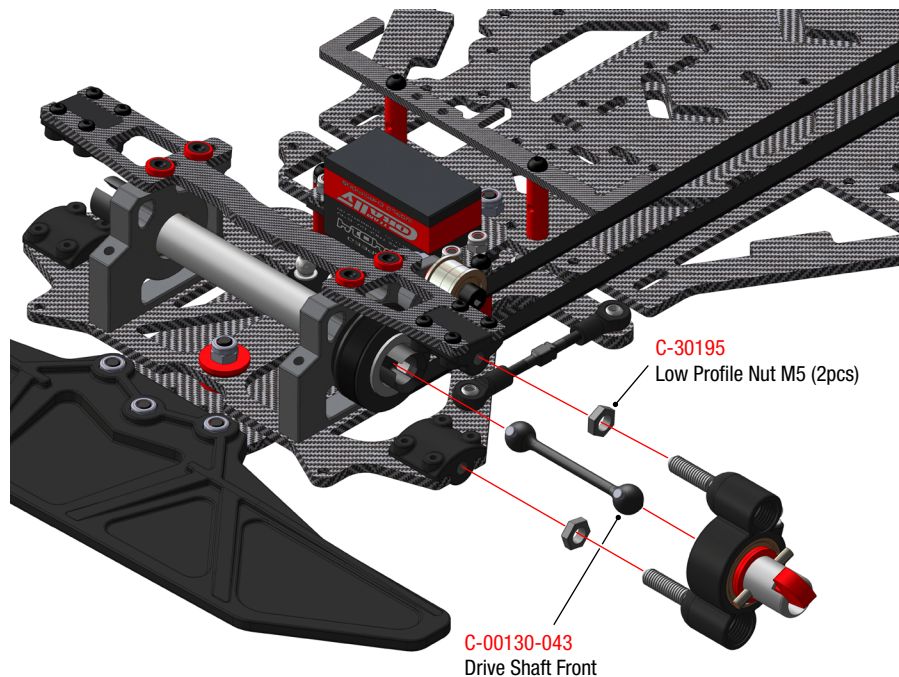


29 STEERING KNUCKLE ASSEMBLY - L + R

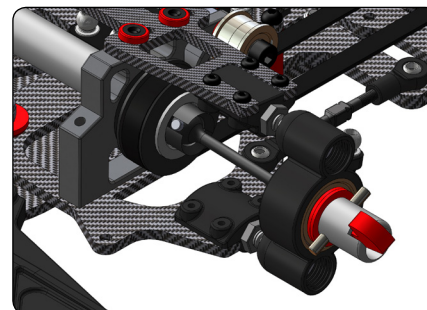
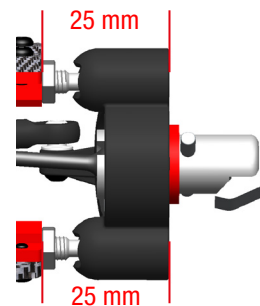
L + R



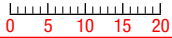
30 STEERING KNUCKLE ASSEMBLY L + R



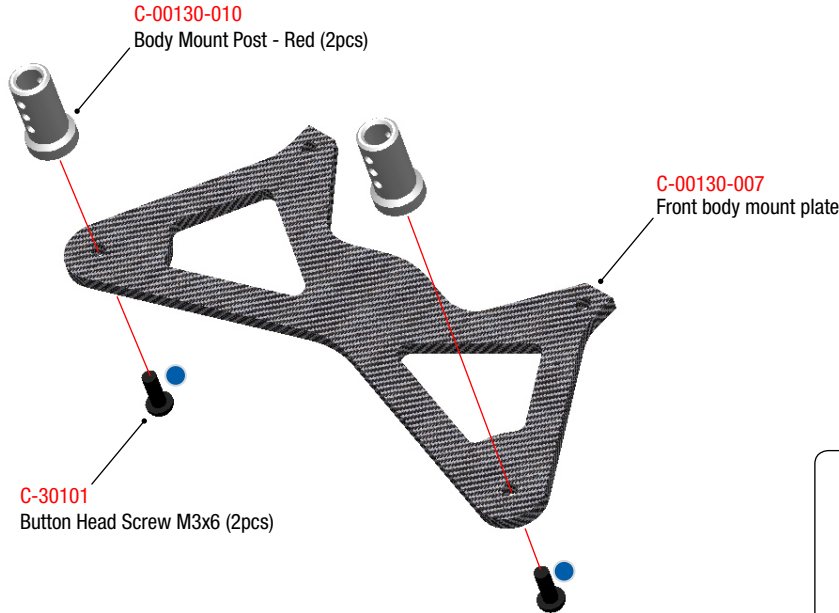
0° Deg *Camber*



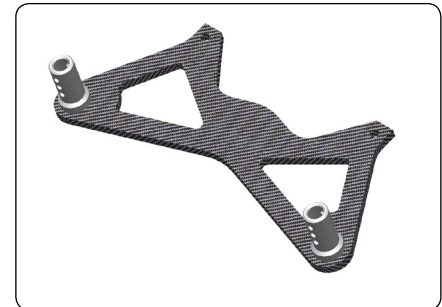
L + R



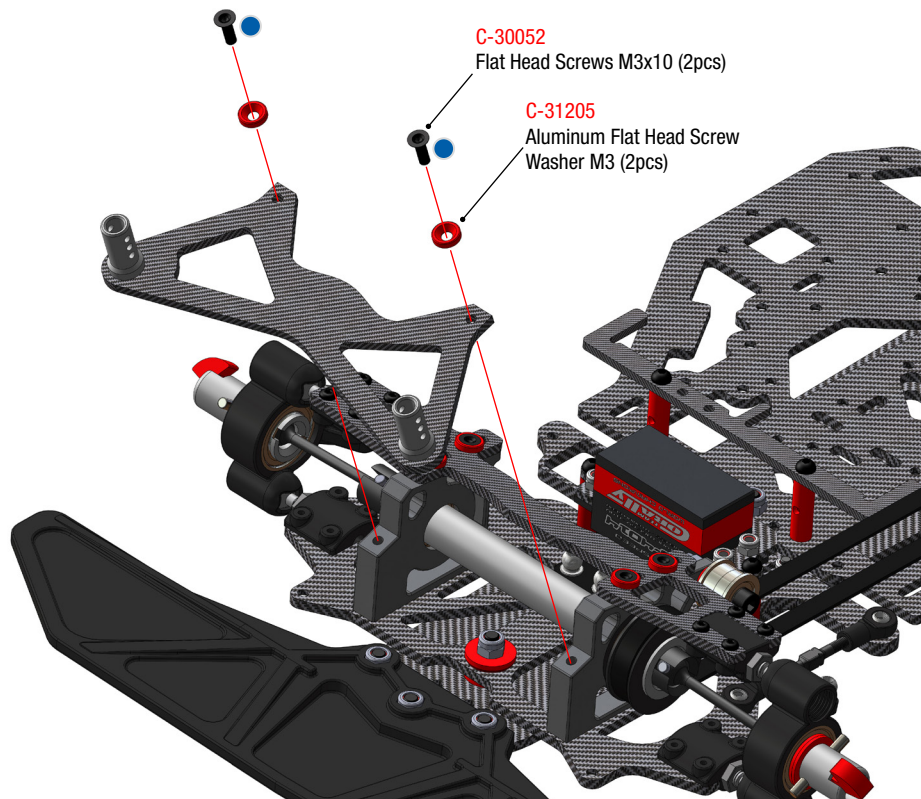
31 FRONT BODY MOUNT ASSEMBLY



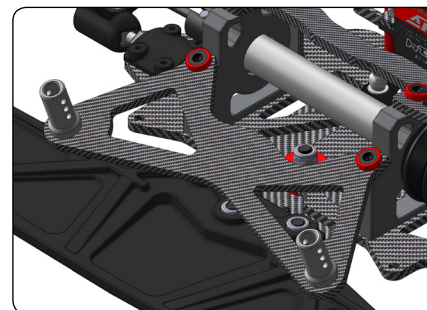
Apply CORALLY
LOCK-IT 100

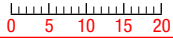


32 STEERING KNUCKLE ASSEMBLY L + R



Apply **CORALLY**
LOCK-IT 100





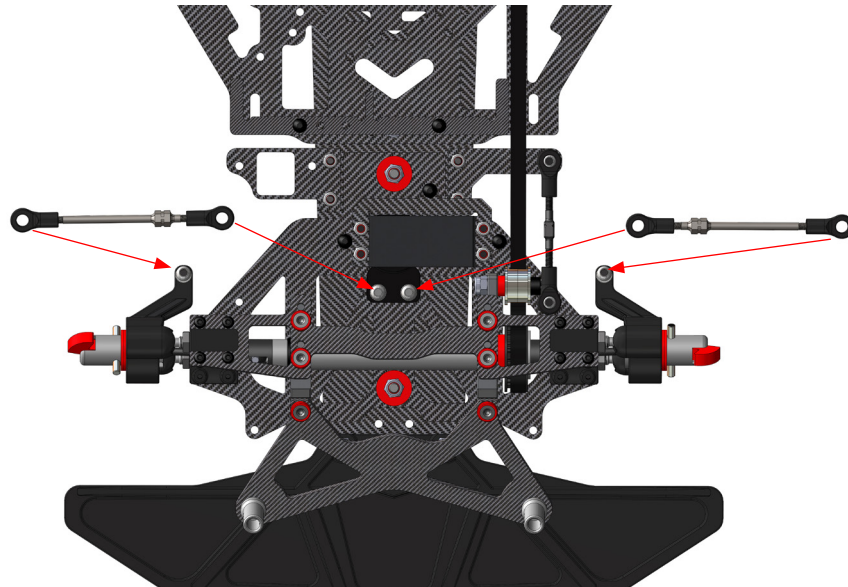
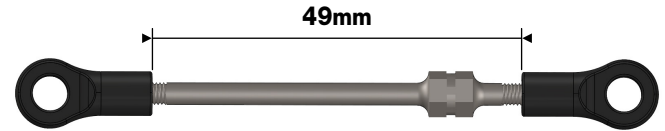
33 STEERING LINKAGE ASSEMBLY

2x

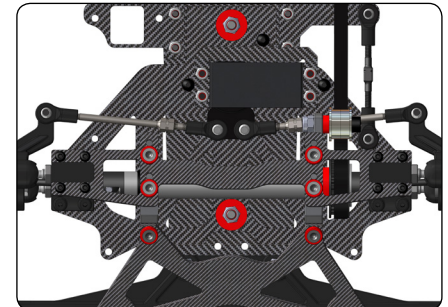


C-00130-017
Turnbuckle 62mm

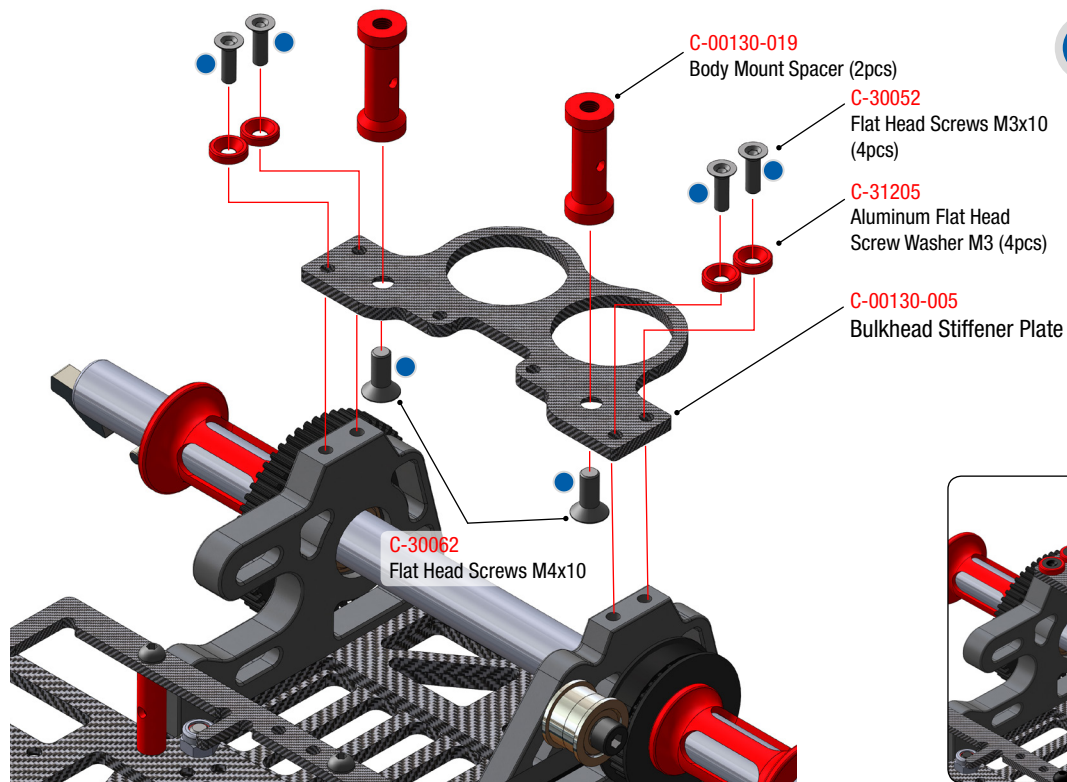
C-00130-044
Composite Ball Joint $\varnothing 5.8 - M3$
(2pcs)



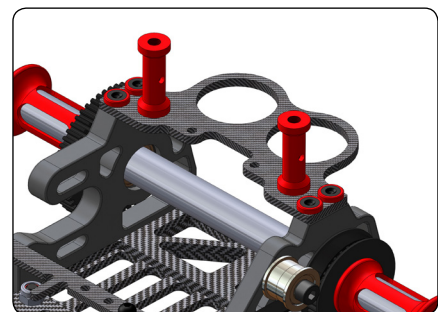
C-16300
Install the pivot ball using the Corally Professional Pliers

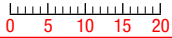


34 REAR BODY MOUNT ASSEMBLY



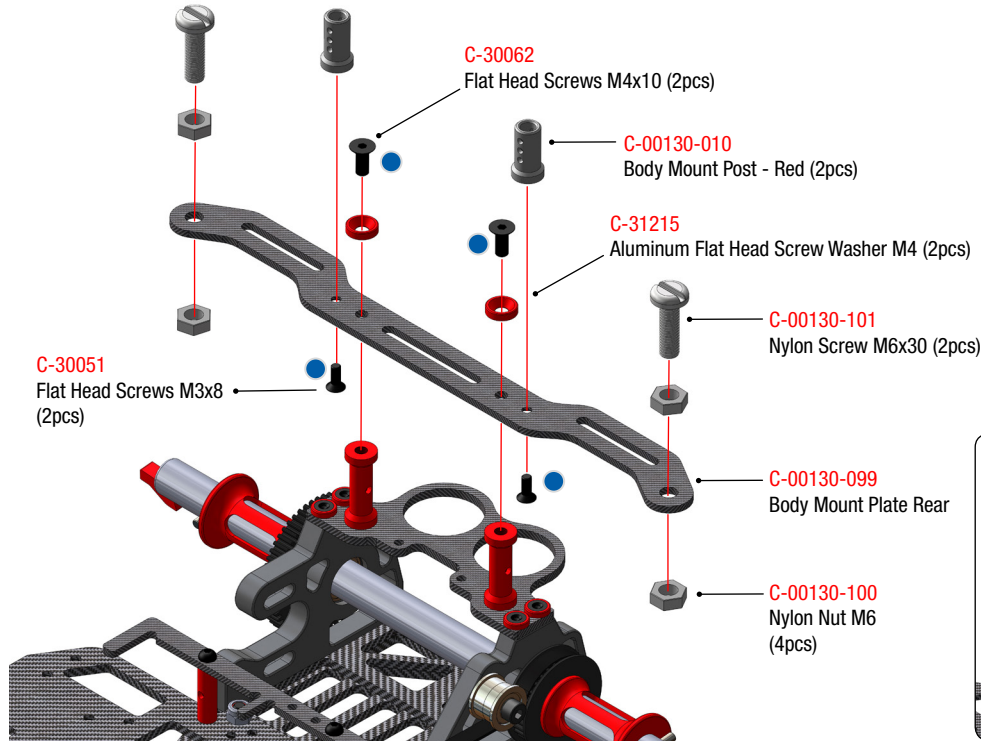
Apply **CORALLY**
LOCK-IT 100



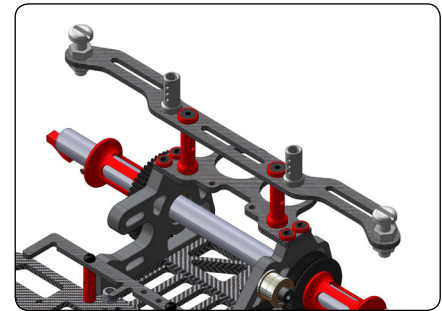


35

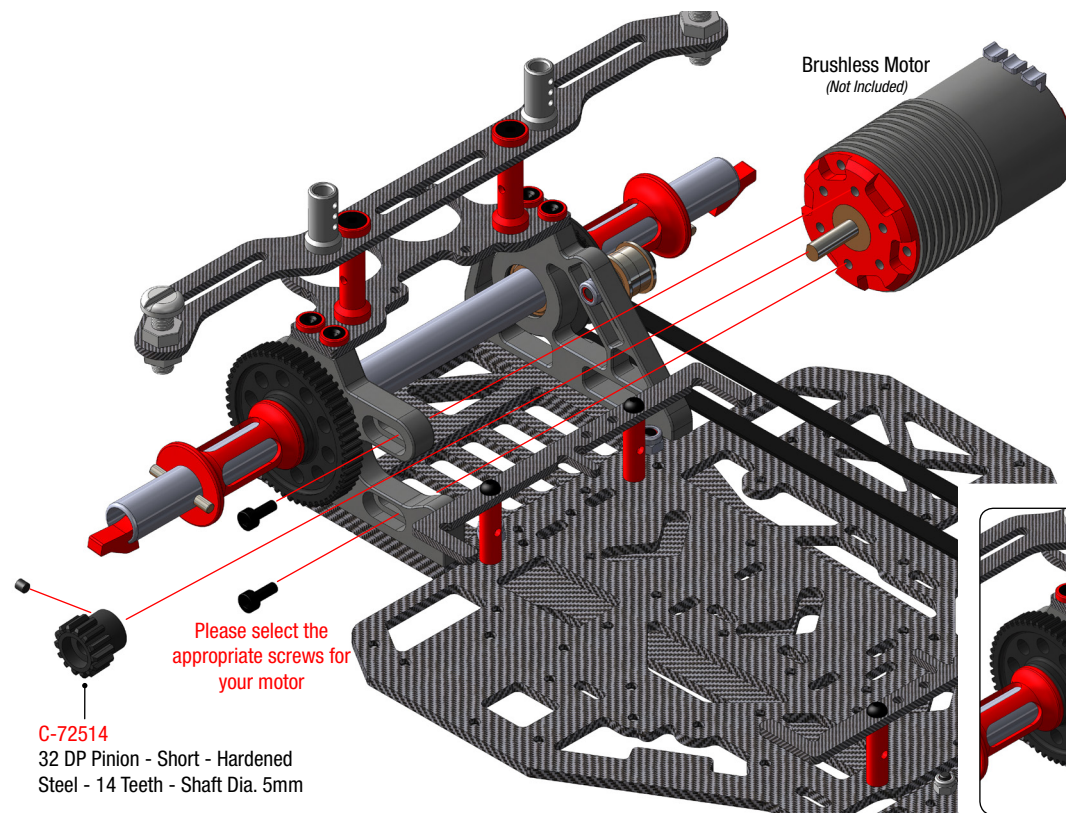
REAR BODY MOUNT ASSEMBLY



Apply CORALLY
LOCK-IT 100



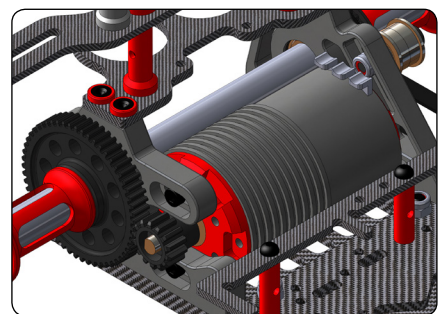
36 MOTOR ASSEMBLY



Brushless Motor
(Not Included)

RECOMMENDED BRUSHLESS MOTOR

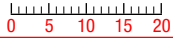
C-61302
Dynospeed VELOX 805
1/8 Sensored 4-Pole Competition Brushless Motor - 1950 KV



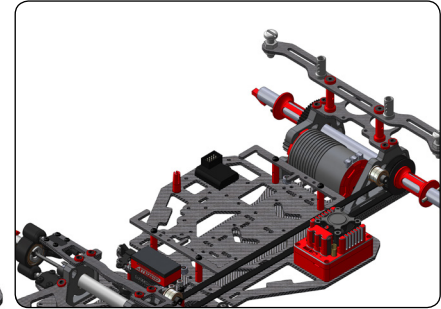
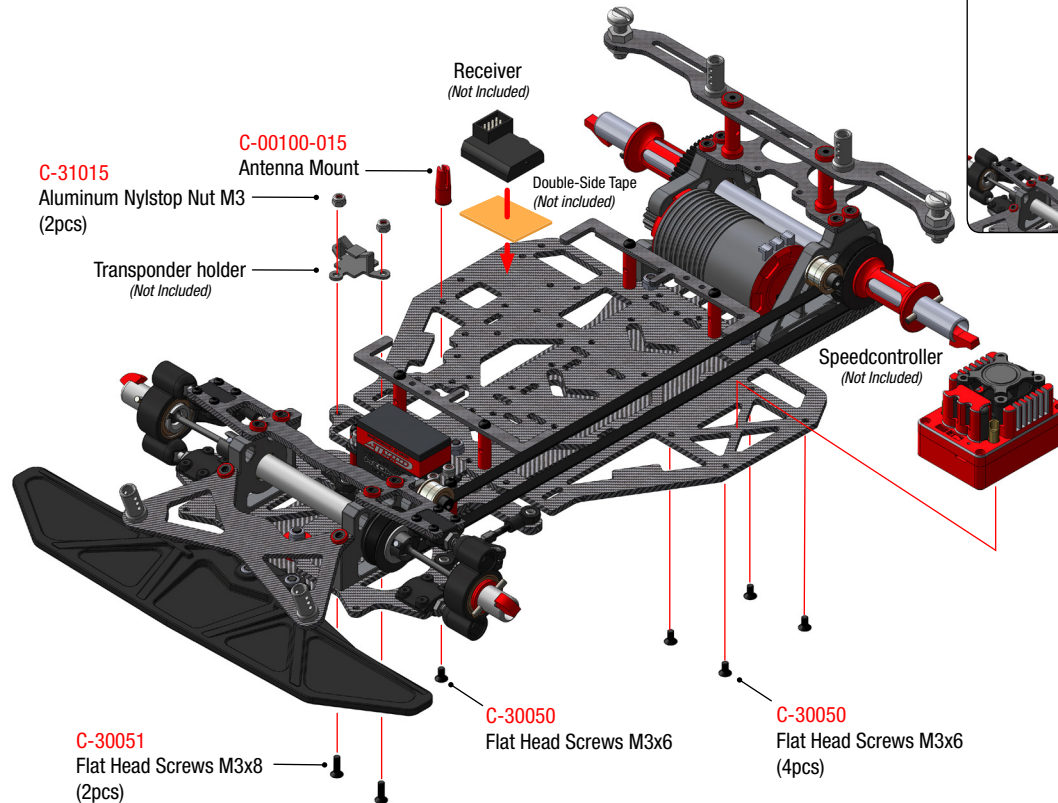
C-72514
32 DP Pinion - Short - Hardened Steel - 14 Teeth - Shaft Dia. 5mm

Please select the appropriate screws for your motor





37 REAR BODY MOUNT ASSEMBLY

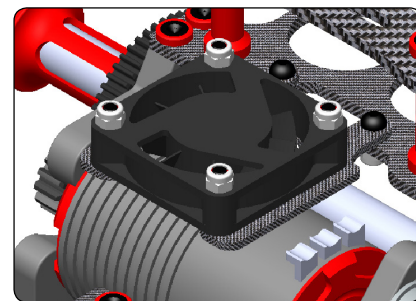
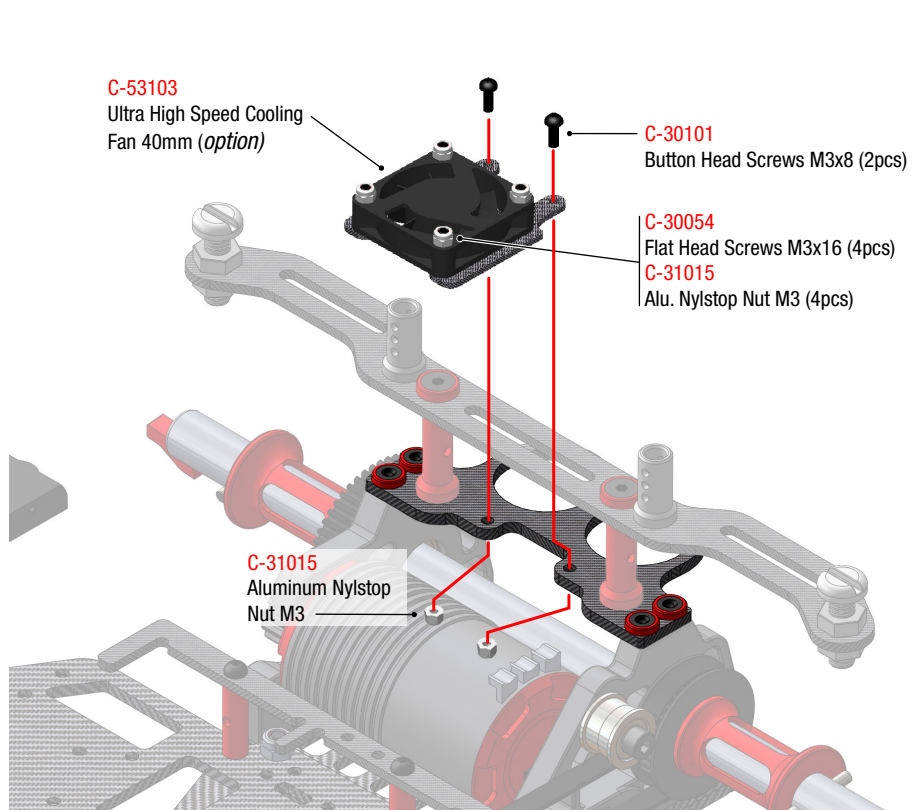


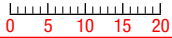
RECOMMENDED SPEEDCONTROLLER

C-53004-1
REVOG PRO 160
2-6S Esc For Sensored And
Sensorless Motors - 160A

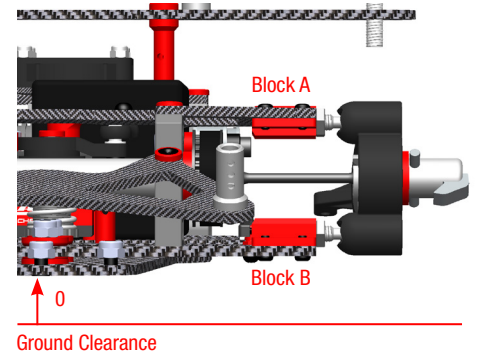
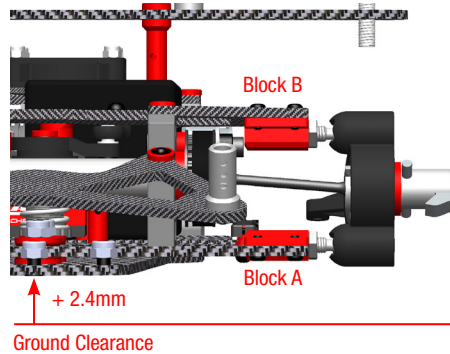
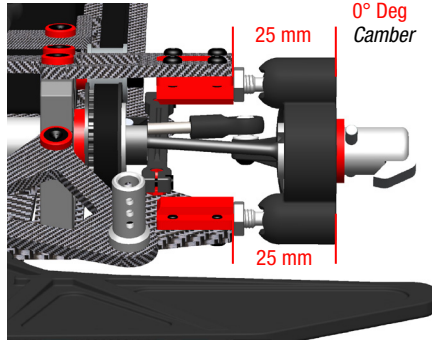


38 COOLING FAN ASSEMBLY



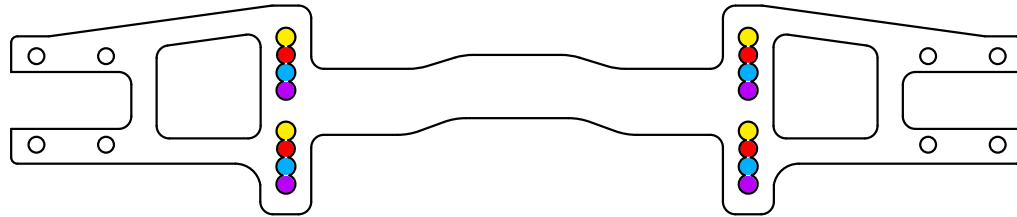


39 BASIC CAR SET-UP

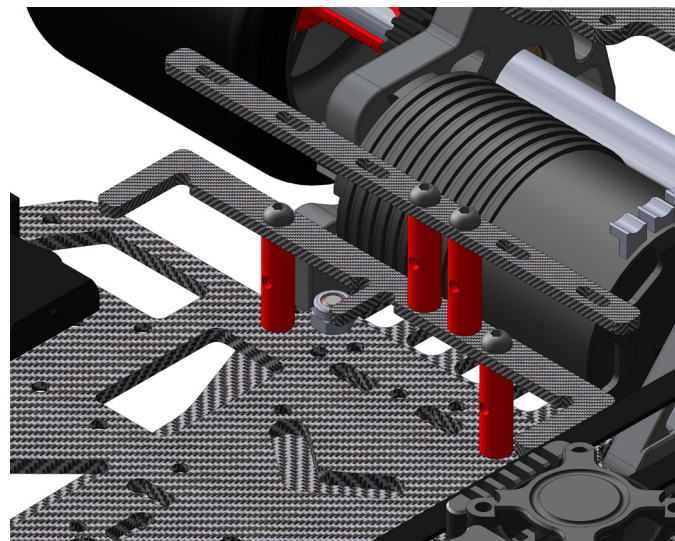
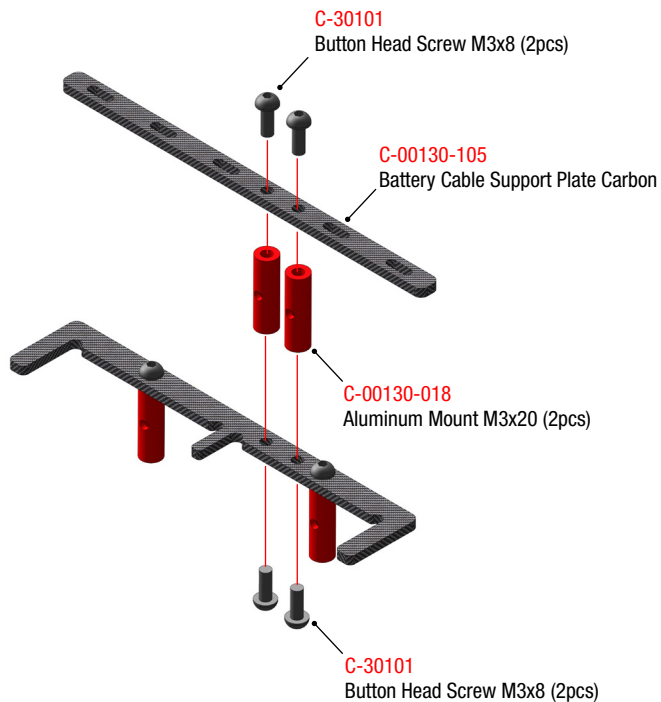


CASTER

- 15° Deg ●
- 10° Deg ●
- 5° Deg ●
- 0° Deg ●



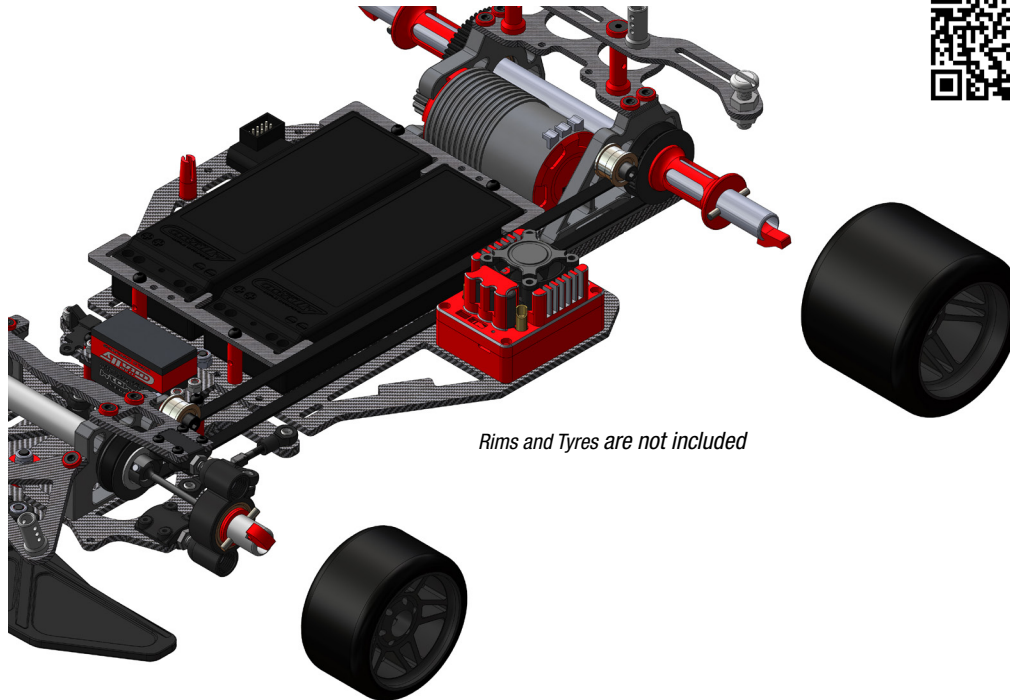
37 BATTERY CABLE SUPPORT PLATE ASSEMBLY



0 5 10 15 20

40

WHEEL INSTALLATION



Rims and Tyres are not included



SSX-8 FOAM TIRES



C-14713-30

Front Foam Tyres - 30 Shore

C-14713-32

Front Foam Tyres - 32 Shore

C-14713-35

Front Foam Tyres - 35 Shore



C-14718-32

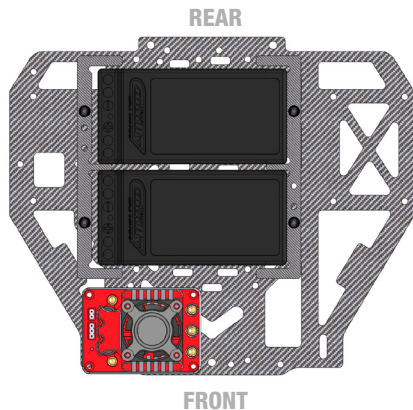
Rear Foam Tyres - 32 Shore

C-14718-35

Front Foam Tyres - 35 Shore

41 BATTERY CONFIGURATION

SHORTY REAR LATERAL

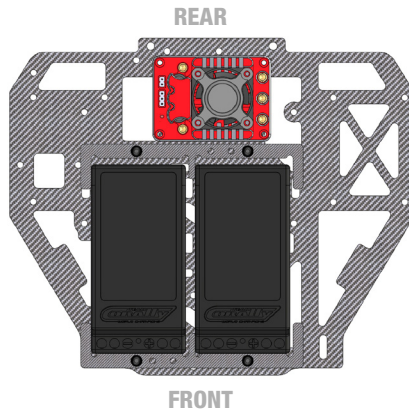


For this config, use (2x)



C-49505
Voltax 120C LiPo Battery
5000mAh - 7.4V - Shorty 2S

SHORTY FRONT

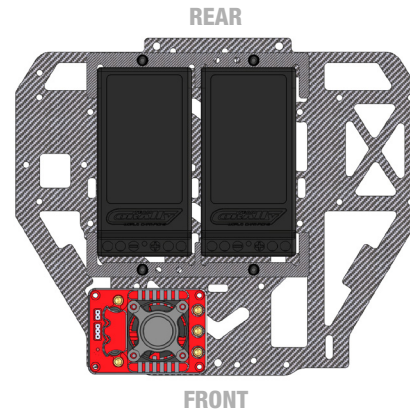


For this config, use (2x)



C-49505
Voltax 120C LiPo Battery
5000mAh - 7.4V - Shorty 2S

SHORTY REAR



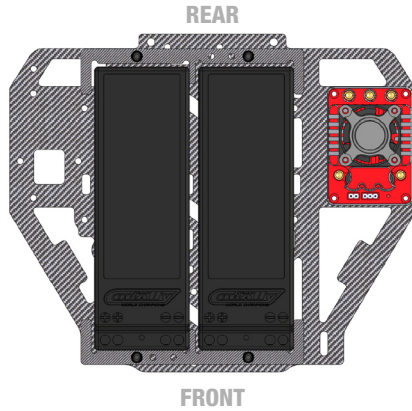
For this config, use (2x)



C-49505
Voltax 120C LiPo Battery
5000mAh - 7.4V - Shorty 2S

42 BATTERY CONFIGURATION

2x 2S

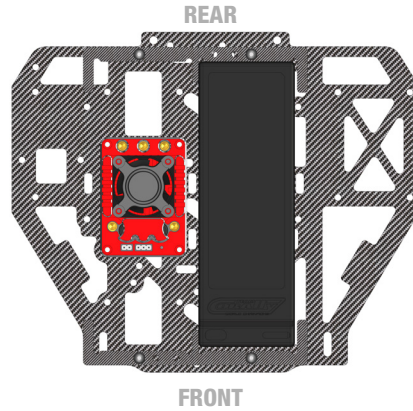


For this config, use (2x)



C-49523
Voltax 120C LiPo Battery
8000mAh - 7.4V - Stick 2S

1x 4S LEFT




For this config, use



C-49530
Voltax 120C LiPo Battery
8000mAh - 14.8V - Stick 4S

	C-00100-015	Antenna Mount
	C-00100-083	Alum. Shim Ring - ID 3mm - OD 5mm - 3mm - 5 pcs
	C-00120-044	Turnbuckle 35mm
	C-00130-005	Rear Bulkhead Stiffener Plate SSX-8 3K Carbon 1 Pc
	C-00130-007	Body Mount Plate Front SSX-8 3K Carbon 1 Pc
	C-00130-009	Motor Pod Stiffener SSX-8 3K Carbon 1 Pc

	C-00130-010	Body Mount Post 4 Pcs
	C-00130-012	Aluminum Flex Washer 4 Pcs
	C-00130-013	Aluminum 7075 Front Bulkhead - Left 1 Pc
	C-00130-014	Aluminum 7075 Front Bulkhead - Right 1 Pc
	C-00130-017	Steering Turnbuckle 62mm Steel 2 Pcs
	C-00130-018	Aluminum Mount 20mm - M3 4 Pcs

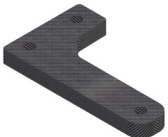





	C-00130-019	Aluminum Body Mount Spacer 2 Pcs
	C-00130-020	Aluminum Rear Shaft Spacer
	C-00130-023	Aluminum 7075 Rear Bulkhead - Left
	C-00130-024	Aluminum 7075 Rear Bulkhead - Right
	C-00130-025	Rear Axle Shaft
	C-00130-026	Steel Pin 3x20mm 6 Pcs

	C-00130-029	Composite Ball Bearing Inserts 4 Pcs
	C-00130-031	One-Way Outdrive Cups Steel 2 Pcs
	C-00130-032	Timing Belt SSX-8 1 Pc
	C-00130-034	Ball ø5.8mm - M3 4 Pcs
	C-00130-037	Front Drive Axle w/ one way bearings 1 Pc
	C-00130-038	Composite Pulley 28T 1 Pc

	C-00130-039	Silicone O-Ring 10.5x1.5 4 Pcs
	C-00130-040	Silicone Washer 2 Pcs
	C-00130-041	Front Wheel Axle Chrome Steel 2 Pcs
	C-00130-042	Front Bumper
	C-00130-043	Front Driveshaft Spring Steel 2 Pcs
	C-00130-044	Composite Ball Joint ø5.8mm - M3 6 Pcs


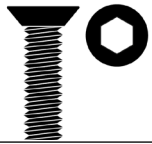


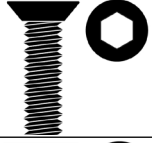

	C-00130-045	Aluminum Lever - Rear 2 Pcs
	C-00130-046	Aluminum Lever - Front 2 Pcs
	C-00130-050	Composite Pulley - 32T
	C-00130-051	Composite Pivot Ball Steering Knuckle Left / Right 2 Pcs
	C-00130-053	Aluminium Spacer Drive Axle Front 2 Pcs
	C-00130-054	Aluminum Spacer Belt Tensioner Front 2 Pcs



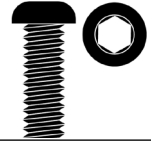
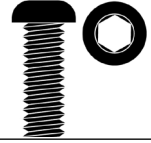
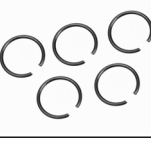
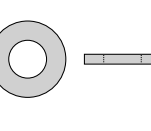
	C-00130-055	Pivot Ball - M5 4 Pcs		C-00130-068	Composite Pivot Ball Mounting Block - B-Block 2 Pcs
	C-00130-056	Shim Ring - Aluminum ø12x16x1mm 4 Pcs		C-00130-081	Fan Mounting Plate SSX-8 3K Carbon 1 Pc
	C-00130-059	Spring for Lever 5 Pcs		C-00130-087	Front Lower Suspension Plate 3K Carbon + Spherical Balls (2) 1 Set
	C-00130-064	Aluminum Adjusting Nut M10x1mm 4 Pcs		C-00130-089	Chassis SSX-8 - 3K Carbon
	C-00130-065	Composite Washer for Pivot Ball 4 Pcs		C-00130-090	Silicone O-Ring - 12x1.5mm 4 Pcs
	C-00130-067	Composite Pivot Ball Mounting Block - A-Block 2 Pcs		C-00130-091	Aluminum Servo Post 4Pcs



	C-00130-092	Chassis Stiffener Plate 3K Carbon 1Pc
	C-00130-093	Transponder Plate 3K Carbon 1Pc
	C-00130-096	Radio Plate SSX-8X 3K Carbon 1Pc
	C-00130-097	Battery Plate SSX-8X 3K Carbon 2 Pcs
	C-00130-098	Front Upper Suspension Plate SSX-8X 3K Carbon 1Pc
	C-00130-099	Body Mount Plate Rear SSX-8X 3K Carbon 1Pc

	C-00130-104	Servo Plate SSX-8X 3K Carbon
	C-00130-105	Battery Cable Support Plate 3K Carbon
	C-00131-080	Composite Main Gear 32DP - 64T
	C-10124	Servo Saver HD Large
	C-72514	Steel Motor Pinion 32DP - 14T 5mm Shaft 1 Pc
	C-361221	Ball Bearing - Abec 3 12x21x5 4 Pcs

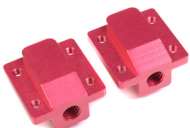






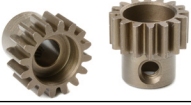

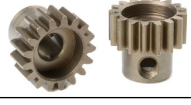

	C-370413	Ball Bearing - Abec 3 4x13x4 Flanged 4 Pcs
	C-31002	Steel Nylstop Nut M3 - Black 10 Pcs
	C-31025	Aluminum Nylstop Nut M3 - Red 10 Pcs
	C-31035	Aluminum Nylstop Nut M4 - Red 10 Pcs
	C-30195	Steel-Low Profile Nut M5 10 Pcs
	C-31205	Aluminum Flat Head Screw Washer M3 - Red 10 Pcs
	C-31215	Aluminum Flat Head Screw Washer M4 - Red 10 Pcs
	C-00130-100	Nylon Nut - M6 4 Pcs
	C-00130-101	Nylon - M6 x 30 2 Pcs
	C-30030	Socket Head Screw DIN 912 M2.5 x 6 10 Pcs
	C-30016	Socket Head Screw DIN 912 M4 x 18 10 Pcs
	C-30017	Socket Head Screw DIN 912 M4 x 22 10 Pcs

	C-30050	Flat Head Screw DIN 7991 M3 x 6 10 Pcs
	C-30051	Flat Head Screw DIN 7991 M3 x 8 10 Pcs
	C-30052	Flat Head Screw DIN 7991 M3 x 10 10 Pcs
	C-30053	Flat Head Screw DIN 7991 M3 x 12 10 Pcs
	C-30061	Flat Head Screw DIN 7991 M4 x 8 10 Pcs
	C-30062	Flat Head Screw DIN 7991 M4 x 10 10 Pcs

	C-30066	Flat Head Screw DIN 7991 M4 x 14 10 Pcs
	C-30064	Flat Head Screw DIN 7991 M4 x 16 10 Pcs
	C-30100	Button Head Screw DIN 7380 M3 x 6 10 Pcs
	C-30101	Button Head Screw DIN 7380 M3 x 8 10 Pcs
	C-32100	C-Clips ø12mm 5 Pcs
	C-3201-40	Steel Washer ø4x10x1mm 10 Pcs

	C-3303-12-16-05	Shim Ring - Aluminum ø12x16x0.5mm 4 Pcs
	C-3301-12-18-10	Shim Ring - Steel ø12x18x1.0mm 4 Pcs

OPTIONAL PARTS

	C-00130-215	Aluminum Pivot Ball Mounting Block - B 2 Pcs		C-72512	Pinion 32 DP - 5mm Shaft 12 Teeth
	C-00130-216	Aluminum Pivot Ball Mounting Block - A 2 Pcs		C-72513	Pinion 32 DP - 5mm Shaft 13 Teeth
	C-00130-208	Precision Machined Delrin Main Gear 32DP - 60T 1 Pc		C-72515	Pinion 32 DP - 5mm Shaft 15 Teeth
	C-00130-209	Precision Machined Delrin Main Gear 32DP - 62T 1 Pc		C-72516	Pinion 32 DP - 5mm Shaft 16 Teeth
	C-00130-210	Precision Machined Delrin Main Gear 32DP - 64T 1 Pc		C-72517	Pinion 32 DP - 5mm Shaft 17 Teeth
				C-72518	Pinion 32 DP - 5mm Shaft 18 Teeth

TIRE TRACTION COMPOUNDS



Tire Juice 22
GREEN 100ml

C-13760 | Tire Juice 22

RUBBER - ASPHALT



Tire Juice 33
RED 100ml

C-13761 | Tire Juice 33

FOAM - ASPHALT



Tire Juice 44
YELLOW 100ml

C-13762 | Tire Juice 44

RUBBER - CARPET



Tire Juice 55
BLUE 100ml

C-13763 | Tire Juice 55

FOAM - CARPET



TC TIRE JUICE 22 - GREEN : is ideally suited to rubber tires on asphalt but also works well on foam tires.
TC TIRE JUICE 33 - RED : is ideally suited for foam tires on asphalt but also works well on rubber tires.
TC TIRE JUICE 44 - YELLOW : is ideally suited for rubber tires on carpet but also works well on foam tires.
TC TIRE JUICE 55 - BLUE : is ideally suited for foam tires on carpet but also works well on rubber tires.



SSX8X

**TEAM
CORALLY
WORLD CHAMPIONS**



www.corally.com

This manual is an edition of Team Corally, Geelseweg 80, B-2250 OLEN (Belgium). This manual is protected by a copyright and nothing from this edition may be reproduced or used without any prior written authorisation. Whilst every effort has been made to ensure the accuracy of the information in this catalogue, errors do creep in and Team Corally can accept no responsibility for failures, wrong specifications, accuracy of colours, losses or damages caused. Team Corally denies any responsibility claims or damages caused by use of our products. Team Corally is not responsible for product changes or availability of our products. The products of dangerous nature included in this manual are submissive to special handling and storage specifications. Please check with your local authorities for existing legislation.

WORLD CHAMPIONS



Team Corally • Geelseweg 80 • 2250 Olen • Belgium
Tel: +32 14 25 92 94 • info@corally.com • www.corally.com